

bellfires. gas fires

**INSTALLATION INSTRUCTIONS &
MANUAL FOR MAINTENANCE**

**CORNER BELL
XXL 3 L/R CF/LF**

Gas fires with closed combustion system

Bellfires wishes you many cosy evenings with your new Bellfires gas fire

This document is an essential part of your gas fire.
Read it carefully before installation and maintenance of the
gas fire and keep it in a safe place!



Serial number:

Production date:

BELFIRES GAS FIRE WITH CLOSED COMBUSTION SYSTEM:

Corner Bell XXL 3 L/R CF (Centre Fire) (CBXXL3 L/R CF)

Corner Bell XXL 3 L/R LF (Line Fire) (CBXXL3 L/R LF)

IMPORTANT

These Installation Instructions form part of the documentation pack supplied with the appliance.

The complete documentation, necessary for the installation of the appliance, consists of:

1. INSTALLATION INSTRUCTIONS & MANUAL FOR MAINTENANCE
2. AVAILABLE COMPONENTS CONCENTRIC FLUE-SYSTEMS FOR BELLFIRES GAS FIRES WITH CLOSED COMBUSTION SYSTEM
3. INSTRUCTIONS FOR USE & MANUAL DAILY MAINTENANCE

CONTENTS

| | Page |
|------------------------------------------------|------|
| 1. INSTALLATION INSTRUCTIONS | 7 |
| 2. MAINTENANCE | 54 |
| 3. FAULTS | 56 |
| 4. DISMANTLING / ASSEMBLING OF THE GLASS | 57 |
| 5. DIAGRAM ELECTRICITY AND GAS | 62 |
| 6. DIMENSIONS | 63 |
| 7. TECHNICAL DETAILS/REGULATIONS | 68 |
| 8. REPLACEMENT PARTS LIST | 72 |
| 9. DISPOSAL OF PACKAGING AND APPLIANCE | 75 |

IMPORTANT



**The installation must only be carried out by a
“Gas Safe Register” registered installation engineer.**

1 INSTALLATION INSTRUCTIONS

1.1 GENERAL

The gas fire must be positioned and connected as a “room sealed system” (balance flue) appliance by a “Gas Safe Register” registered gas installation engineer in accordance with the following installation instructions, nationally and locally applicable regulations (see “Technical Details/ Regulations” at the rear of this manual). If you have any queries regarding the installation, please consult your local gas company.

Important:  **Before beginning the installation, check that the details on the rating plate correspond to the gas type and pressure to which the appliance will be connected.**

The appliance is supplied with a “Centre Fire” or “Line Fire” double burner, as ordered. These burners each have their own specific flame image which is defined by the perforation pattern in the burner cover. See Chapter 5 and the Instructions for use.

The appliance is factory set to the correct nominal heat input. The pilot light is set to the correct level of consumption.

The appliance will be delivered from the factory with a Ø130 mm - Ø200 mm concentric connection for extracting the flue gases and supply of combustion air.

It is possible to install the gas fire with either a wall or roof outlet.

The roof connection must be carried out using a concentric reduction Ø130/200 → Ø100/150 and the concentric flue system Ø100 mm - Ø150 mm. The flue gases are evacuated outside by means of natural draft through the internal pipe of Ø100 mm, whereas the combustion air is supplied between the pipes of Ø100 mm and Ø150 mm.

The wall connection must be carried out using the concentric flue system Ø130 mm - Ø200 mm. The flue gases are evacuated outside by means of natural draft through the internal pipe of Ø130 mm, whereas the combustion air is supplied between the pipes of Ø130 mm and Ø200 mm.

The wall outlet itself is, depending on the concentric flue gas system configuration, Ø130 mm - Ø200 mm or Ø100 mm - Ø150 mm.

The gas fire can be installed in a completely sealed or mechanically ventilated house without extra ventilation and/or fume extraction.

The gas fire can be installed as an **insertion** into an existing open fire place or as a **built-in** appliance in a new fire place.

In order to prevent the fireplace heating up excessively, it must be properly ventilated by installing vents at the top and bottom of the fireplace.

The appliance can be fitted with a convection package as an optional extra. This is a “convection jacket” (convection casing) for around and above the appliance, two flexible aluminium pipes and two built-in convection vents. This enables hot air to be circulated into the room.

If required, two additional convector grills can be fitted (= 1x extra convection set).

If an existing chimney is to be used, please consult your installer first. If the chimney was previously used for a wood or coal fire, then it should be cleaned by an expert.

1.2 CONCENTRIC FLUE SYSTEMS Ø100 MM - Ø150 MM AND

- Ø130 MM - Ø200 MM:
- Bellfires - Muelink & Grol System
 - Pujoulat - DUOGAS System
 - Ontop - Metaloterm US System
 - Jeremias/STB - H-Twin System (STB = Schoorsteen Techniek Brummen NL)
 - Jeremias - TWIN-GAS System

The gas fire, in combination with the concentric flue system [Ø100 mm - Ø150 mm] and/or [Ø130 mm - Ø200 mm] (rigid and/or flexible) for the brand types mentioned above, has been approved in accordance with the European CE-norm for gas appliances and may therefore be used only with these systems.

The permitted components for these systems are listed in instructions enclosed:

CONCENTRIC COMPONENTS SUITABLE FOR THE INSTALLATION OF A BELLFIRES GAS FIRE WITH CLOSED COMBUSTION. The guarantee on the appliance lapses if it is installed, fully or partially, with other components or a different flue system.

The concentric flue [Ø100 mm - Ø150 mm] and [Ø130 mm - Ø200 mm] systems can be used with either a newly-built or existing chimney.

IMPORTANT

Observe the installation instructions, which are supplied with the components of the concentric flue system.

1.3 INCLUDED

| | |
|-------------------|-----------------------------------------------------------------------------------------------------------------------------------------------------------------------------------------------------------------------------|
| Set documentation | <ul style="list-style-type: none"> - Installation instructions & Manual for maintenance - Instructions for Concentric Components - Instructions for use & Manual daily maintenance |
| Attributes | <ul style="list-style-type: none"> - Ceramic log set, or marble pebbles white or marble pebbles grey |

N.B. If any part is missing, please contact your dealer.

1.4 OPTIONS AND ACCESSORIES

The following options and accessories can be supplied by your dealer:

| <u>Part no</u> | <u>Option</u> |
|----------------------------|--------------------------------------------------------------------------------------------------------------------------------------------------------------------------------------------------|
| 344333 344332 312829 | <u>Convection package Corner Bell XXL 3 L</u> <ul style="list-style-type: none"> • 1x Convection casing • 1x Convection top plate L • 1x Convection set General |
| 344333 344564 312829 | <u>Convection package Corner Bell XXL 3 R</u> <ul style="list-style-type: none"> • 1x Convection casing • 1x Convection top plate R • 1x Convection set General |
| 344331 344563 | Mantle iron CBXXL3 L Mantle iron CBXXL3 R |
| 344355 344355 | 10 cm Frame 4-sided CBXXL3L (incl. mantle iron CBXXL3L) 10 cm Frame 4-sided CBXXL3R (incl. mantle iron CBXXL3R) |
| 344335 333514 | Black mirror rear wall CBXXL3 L/R / VWBXXL3 Black mirror side wall CBXXL3 L/R |
| 344326 | Fins rear wall CBXXL3 L/R / VWBXXL3 |
| 337670 | Set of high adjustable feet (incl. adapter) 4 pieces |

| <u>Part no</u> | <u>Accessorie</u> |
|------------------------------------------------|------------------------------------------------------------------------------------------------------------------------------------------------------------------------------------------------------------------------------------------------------------------------------------------------------|
| 302092 | Receiver adapter 6 VDC |
| 312829 302188 310178 309872 304040 | <u>Convection set General:</u> (for convection air extraction) <ul style="list-style-type: none"> • 1x Flexible aluminium pipe Ø125 mm, L= 3 m (max.) • 2x Fitting box 135 x 135 mm • 2x Convection exit grid, white, 145 x 145 mm • 4x Hose clamp Ø125 mm |
| 329874 | Set carrying brackets (2 pieces) |
| 3..... | Bellfires (M&G) concentric flue system(*) |
| 3..... | Poujoulat (DUOGAS) concentric flue system(*) |
| 3..... | Ontop (Metaloterm US) concentric flue system(*) |
| 3..... | Jeremias/STB - H-TWIN concentric flue system(*) |
| 3..... | Jeremias - TWIN-GAS concentric flue system(*) |
| | (*) Please refer to the instructions enclosed: CONCENTRIC COMPONENTS SUITABLE FOR THE INSTALLATION OF A BELLFIRES GAS FIRE WITH CLOSED COMBUSTION |

1.5 PREPARATION FOR INSTALLATION

The following preparation must be carried out before the gas fire can be installed.

1.5.1 Instructions for positioning the outlet

1.5.1.1 Positioning the outlet for correct operation:

Roof-mounted outlet:

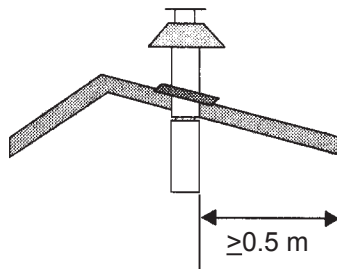


Figure 1: Roof-mounted outlet

This must be positioned at least 0.5 m from the roof edge; the apex of the roof can be disregarded.

Wall-mounted outlet:

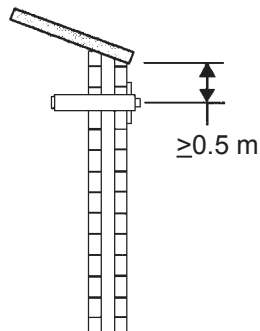


Figure 2: Wall-mounted outlet

This must be positioned at least 0.5 m from:

- the corner of the building.
- the roof overhang, the rain gutter.
- balconies etc., unless the exhaust construction extends to at least the face of the protruding section.

1.5.1.2. Positioning the outlet to avoid affecting the surrounding area



All listed “distances” in this section are no more than guidelines.
For the exact minimum “distances”, please consult your national and local directives.

“Distance” = minimum distance required for positioning of the outlet to avoid adverse effects with respect to:

- A. A ventilation opening serving an occupied room, a toilet or a bathroom.
- B. A heating air supply, when the supply flows through an occupied room.
- C. A window that can be opened and that is near an occupied room, a toilet or a bathroom.

Roof-mounted outlet:

| <u>To avoid adverse effects</u> | <u>Distance: outlet - A, B or C</u> |
|---------------------------------|-------------------------------------|
| At the same roof level. | >3 m (*) |
| At a different roof level. | >1 m (*) |
| At a lower positioned wall. | >1 m |
| At a higher sloping surface. | >3 m (**) |

(*) If the required distance cannot be achieved, the outlet position rules take precedence.

(**) If the required distance cannot be achieved, the position of the outlet must be at least 1 m above the highest facade/roof.

Wall-mounted outlet:

| <u>To avoid adverse effects</u> | <u>Distance: outlet - A, B or C</u> |
|---------------------------------------------------------------------------------------------------------------------------------------------------------|-------------------------------------------------------------------------------------------------------------|
| At walls in buildings with staggered heights. | Not permitted if A, B, or C are located above the outlet. |
| On a wall - general. (*) | Above the outlet: >2 m Below the outlet: >0.75 m Left and right of the outlet: >0.75 m |
| At <1 m from the roof overhang. | >2 m |
| Beneath balconies, walkways etc. | >2 m from the underside of the protruding balcony or walkway. |
| Beneath balconies, walkways etc. where the outlet extends to the front. | >2 m |
| To the garden or on the terrace. | >2 m to the outside space. (**) |
| With respect to a facing wall. | >2 m (if the distance from the facing wall is less, the criteria detailed for "On a wall - general" apply). |
| Enquire at your local gas company for the regulations relating to outlets positioned opposite each other and outlet(s) in facade(s) that form an angle. | |

(*) These minimum distances do not apply if there is an obstruction between the outlet and A, B and C that protrudes at least 0.5 m from the wall and has a length exceeding the distance.

(**) This distance is not required if the outlet is situated at least 1 m higher than the intended area of the outside space.

If the outlet has a clearance of less than 0.5 m from the hard surface of a public area at a height of less than 2 m, it must be fitted with an effective protector. The mesh size of the guard must not affect the correct operation of the appliance.

1.6 GENERAL SERVICES

1.6.1 The Fume Channel/Combustion Air Intake

The combined fume channel and combustion air intake requires one of the following concentric flue system configurations.

Important:



Due to the high temperature of the outer walls (approx. 150°C), no flammable materials may be located or used in the vicinity of the flue system. The complete flue system, must therefore be sleeved with a heat resistant material after assembly.

Ventilate the covered concentric flue by fitting a grid near the floor and ceiling (on each floor).

Do not insulate the concentric flue.

Use the universal wall/floor support Ø150 mm to attach the covering of the concentric flue system [Ø100 mm - Ø150 mm], see 1.6.2, drawing number 36.

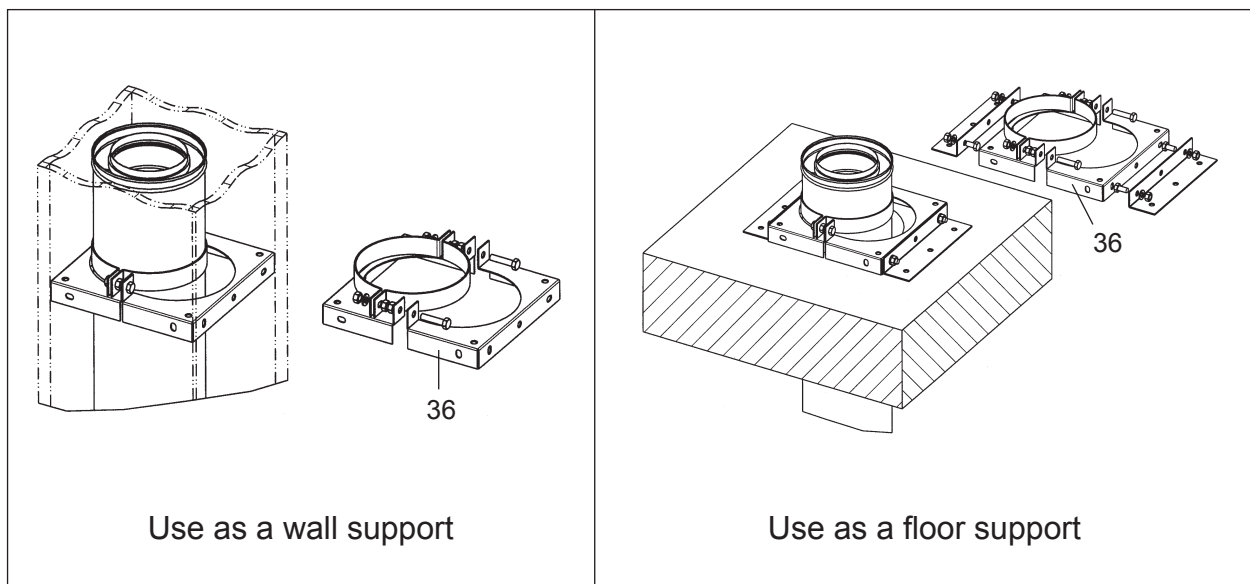
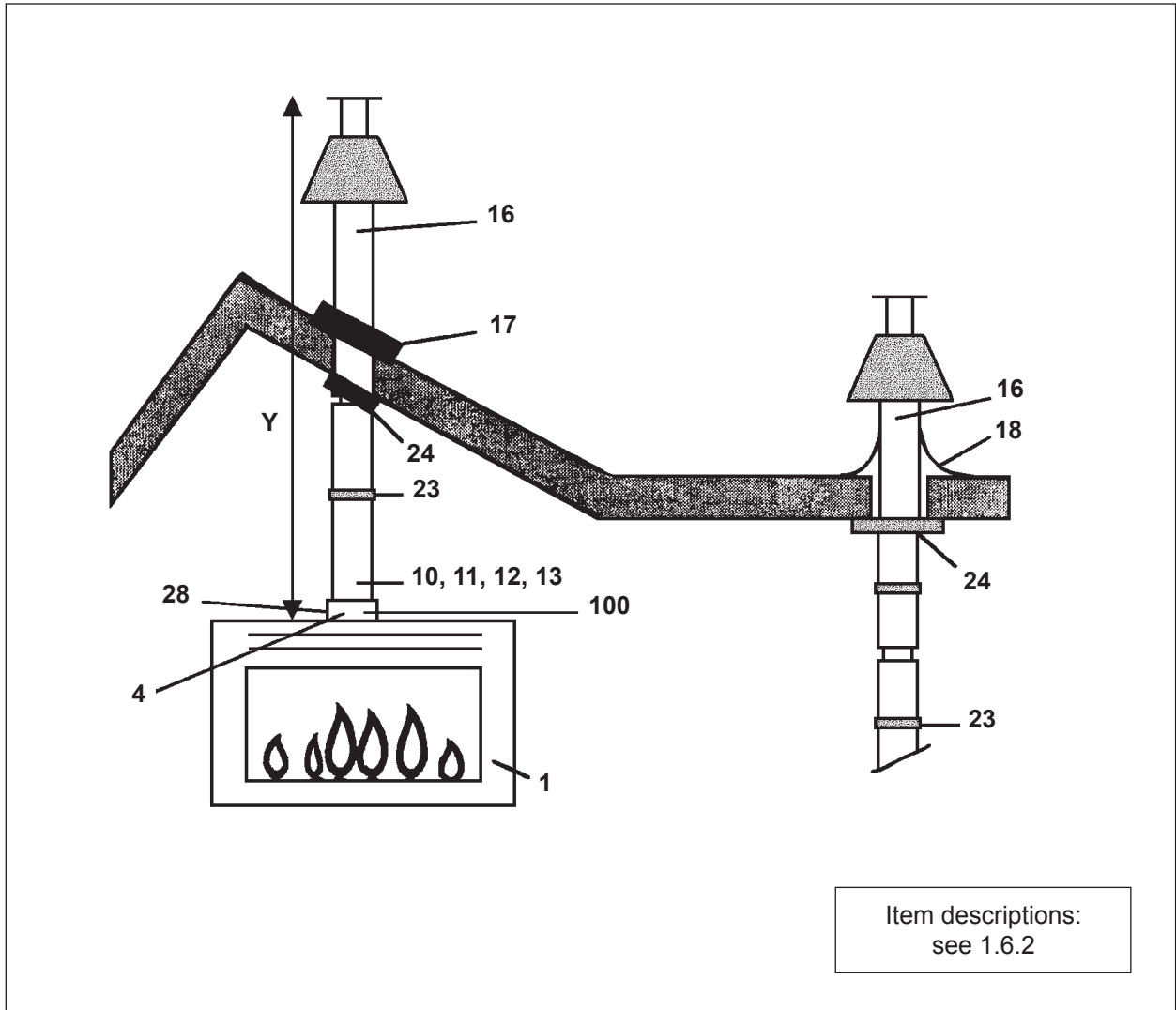


Figure 3: Application universal wall/floor support Ø150 mm

RIGID CONCENTRIC FLUE Ø100 mm - Ø150 mm SYSTEM CONNECTION
POSSIBILITIES

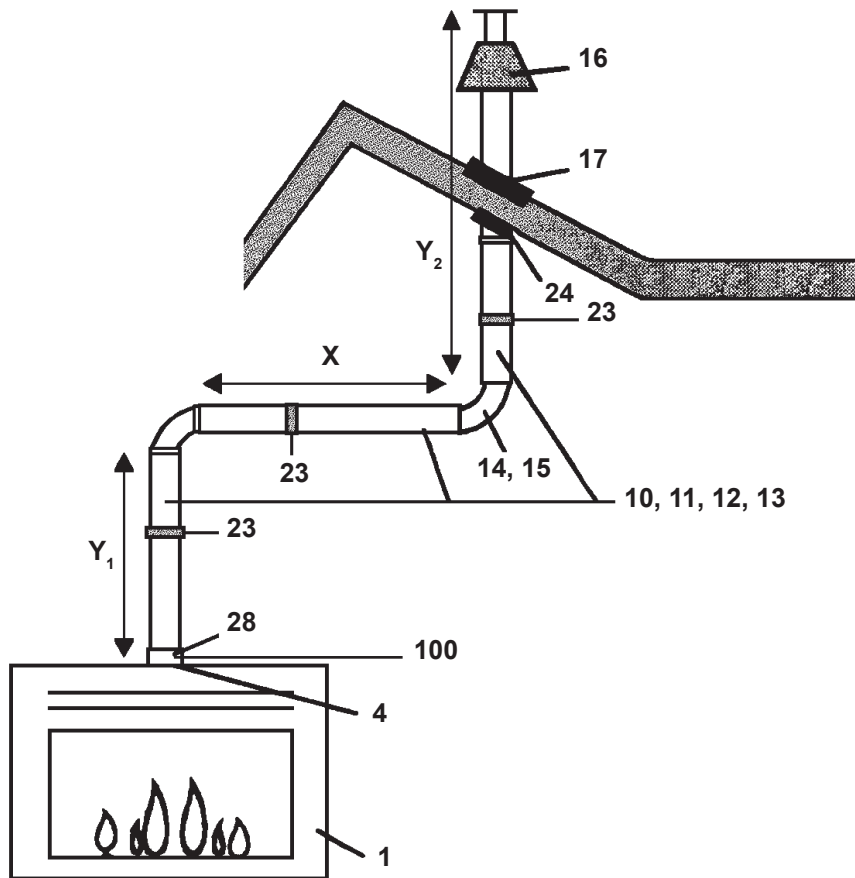
Appliance: Concentric flue connection Ø130-Ø200 mm



| Appliance: | Distance Y (min.-max.) | Assemble restriction plate: | |
|-----------------------|------------------------|----------------------------------------------------|--|
| | | Concentric connection on appliance is Ø130-Ø200 mm | |
| Corner Bell XXL 3 L/R | 2.0 - 4.0 m | Width: B = 50 mm | |
| | 4.0 - 12.0 m | Width: B = 65 mm | |

Figure 4: Vertical roof-mounted outlet without bend

ALL SIZES INCLUDE THE LENGTH OF THE ROOF OR WALL TERMINATION



Item descriptions:
see 1.6.2

| Appliance: | Distance Y_1 (*) (min.-max.) | Distance X (*) (min.-max.) | Distance $Y_1 + Y_2$ (*) (min.-max.) | Assemble restriction plate: |
|--------------------------|-----------------------------------|---------------------------------|-----------------------------------------|--------------------------------------------------------------------------------------|
| | | | | Concentric connection on appliance is $\varnothing 130\text{-}\varnothing 200$ mm |
| Corner Bell XXL 3 L/R | 1.0 - 11.0 m | 0 - 3.0 m | 1.0 - 11.0 m | Width: $B = 40$ mm |

(*) : $(Y_1 + Y_2) : X \geq 2 : 1$
(Vertical to horizontal ratio (or 45° upwards) is always at least 2 to 1)

Figure 5: Vertical roof-mounted outlet with bend

ALL SIZES INCLUDE THE LENGTH OF THE ROOF OR WALL TERMINATION

FLEXIBLE CONCENTRIC FLUE Ø100 mm - Ø150 mm SYSTEM CONNECTION POSSIBILITIES

Appliance: Concentric flue connection Ø130-Ø200 mm

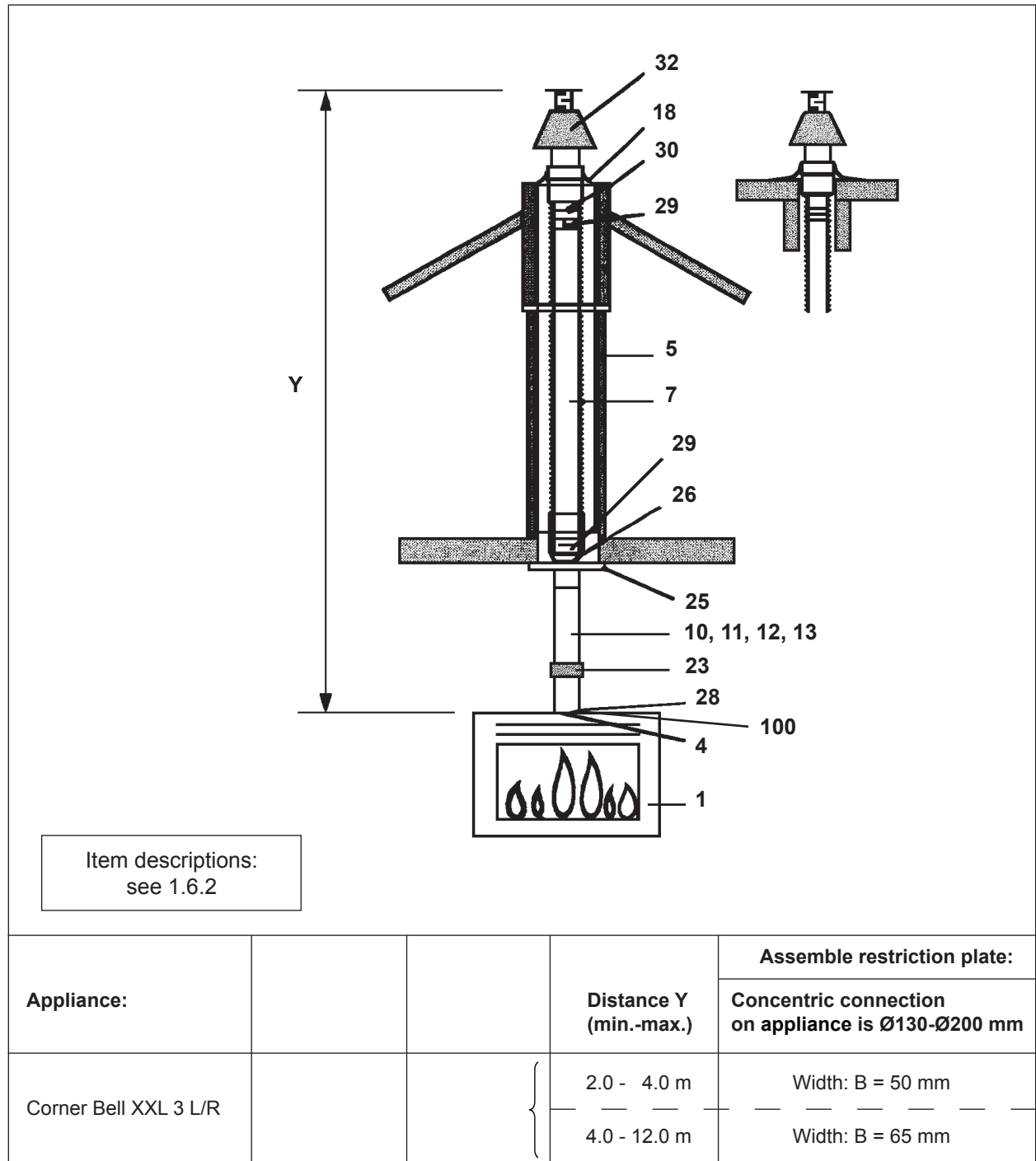
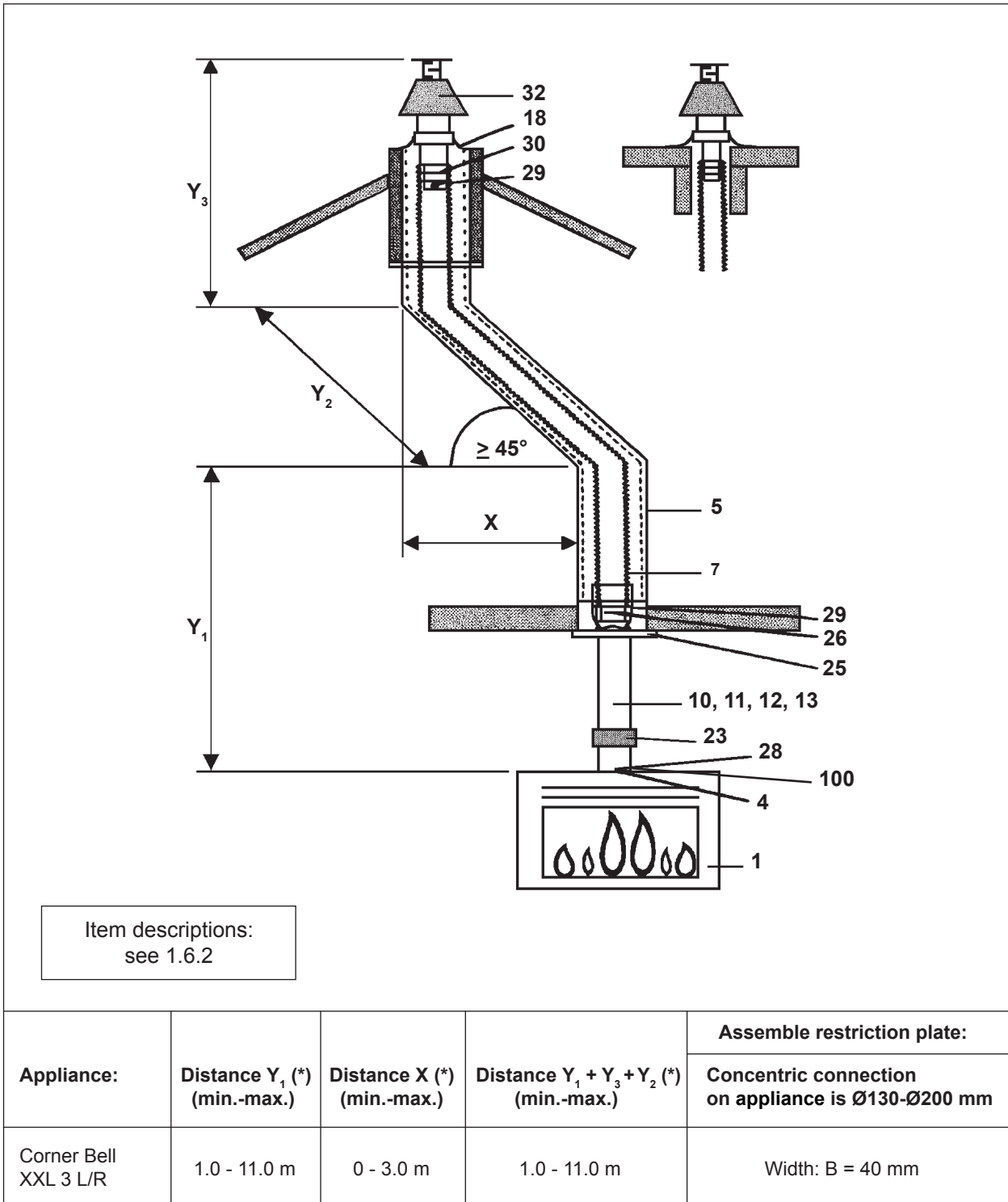


Figure 6: Vertical chimney outlet using an existing lined chimney
(Flexible Ø100 mm and/or rigid Ø100 mm / Ø150 mm)

ALL SIZES INCLUDE THE LENGTH OF THE ROOF OR WALL TERMINATION



(*) : $(Y_1 + Y_2 + Y_3) : X \geq 2 : 1$
 (Vertical to horizontal ratio (or 45° upwards) is always at least 2 to 1)

Figure 7: Vertical chimney outlet using a lined chimney with a bend $\geq 45^\circ$
 (Flexible $\varnothing 100$ mm and/or rigid $\varnothing 100$ mm / $\varnothing 150$ mm)

ALL SIZES INCLUDE THE LENGTH OF THE ROOF OR WALL TERMINATION

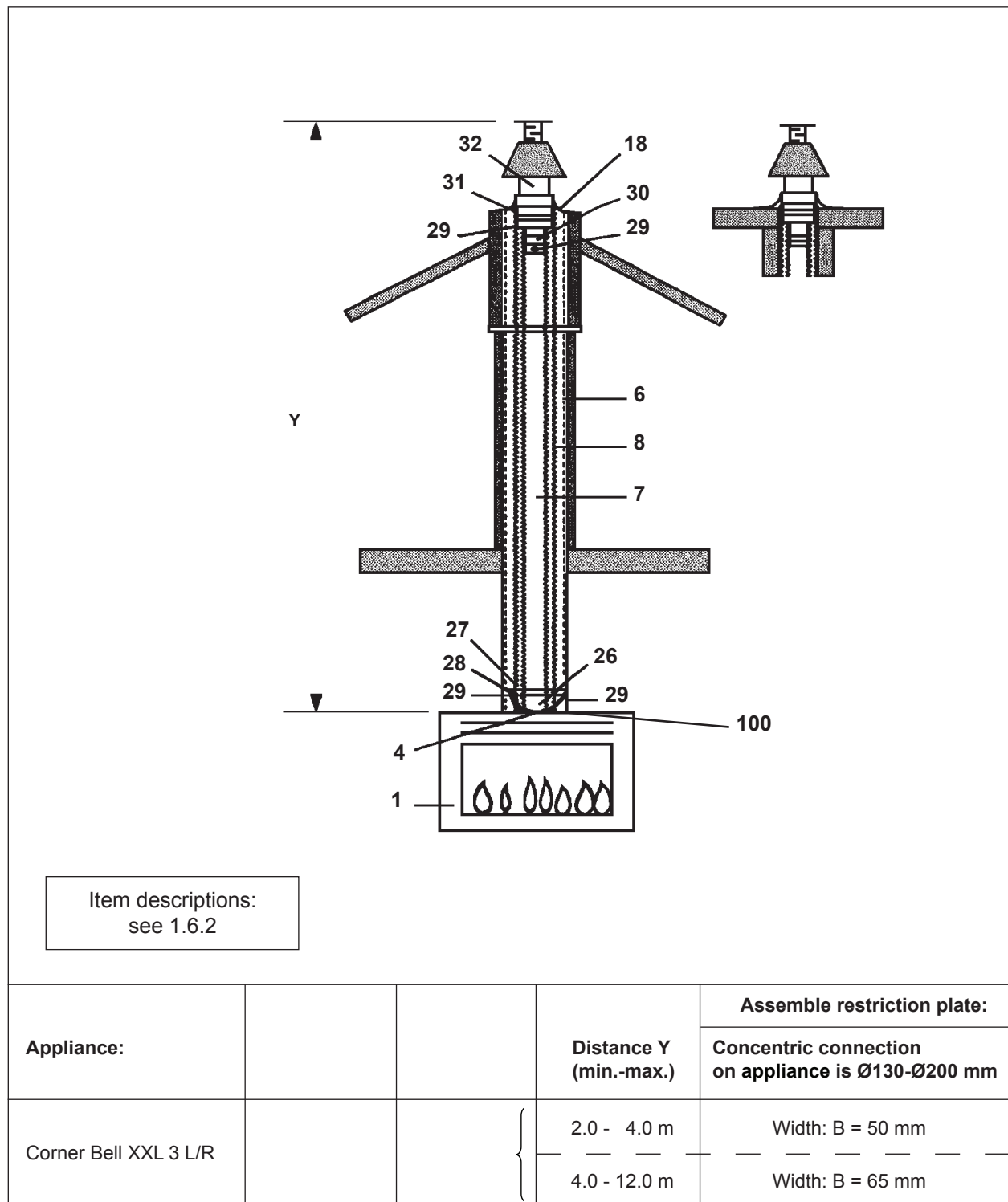
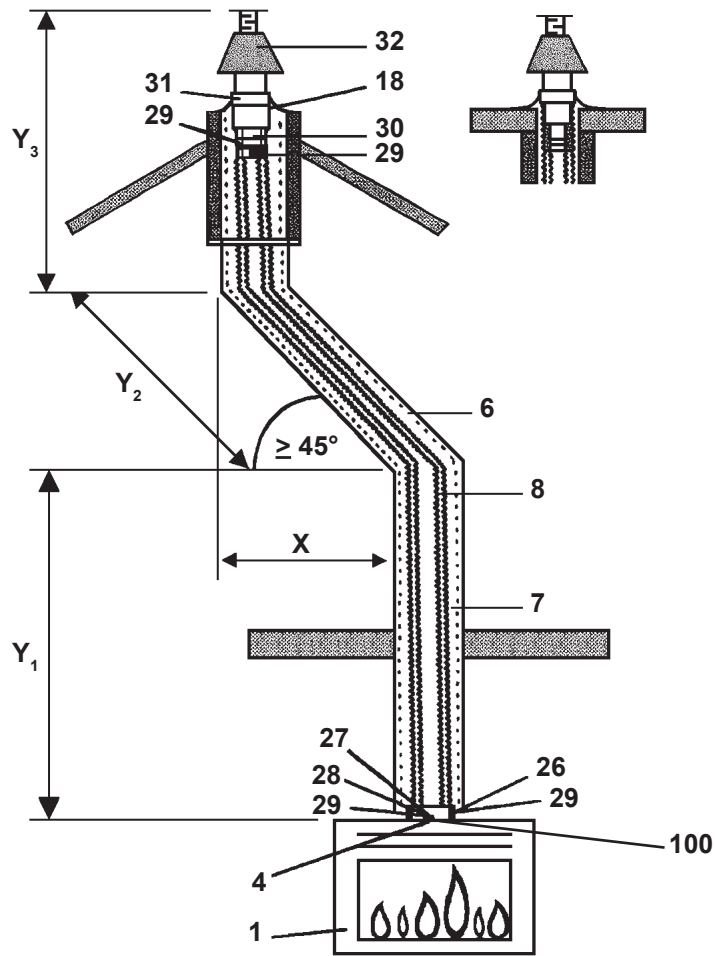


Figure 8: Vertical chimney outlet using an existing unsound lined chimney or when no chimney liners are present (Flexible Ø100 mm / Ø150 mm)

ALL SIZES INCLUDE THE LENGTH OF THE ROOF OR WALL TERMINATION



Item descriptions:
see 1.6.2

| Appliance: | Distance Y ₁ (*) (min.-max.) | Distance X (*) (min.-max.) | Distance Y ₁ + Y ₂ + Y ₃ (*) (min.-max.) | Assemble restriction plate: |
|--------------------------|--------------------------------------------|-------------------------------|------------------------------------------------------------------------------|-------------------------------------------------------|
| | | | | Concentric connection on appliance is Ø130-Ø200 mm |
| Corner Bell XXL 3 L/R | 1.0 - 11.0 m | 0 - 3.0 m | 1.0 - 11.0 m | Width: B = 40 mm |

(*) : (Y₁ + Y₂ + Y₃) : X ≥ 2 : 1
(Vertical to horizontal ratio (or 45° upwards) is always at least 2 to 1)

Figure 9: Vertical chimney outlet using an existing unsound lined chimney or when the chimney is unlined; with a bend ≥45° (Flexible Ø100 mm / Ø150 mm)

ALL SIZES INCLUDE THE LENGTH OF THE ROOF OR WALL TERMINATION

RIGID CONCENTRIC FLUE Ø100 mm - Ø150 mm SYSTEM CONNECTION
POSSIBILITIES and with wall outlet Ø100 mm - Ø150 mm

Appliance: Concentric flue connection Ø130-Ø200 mm

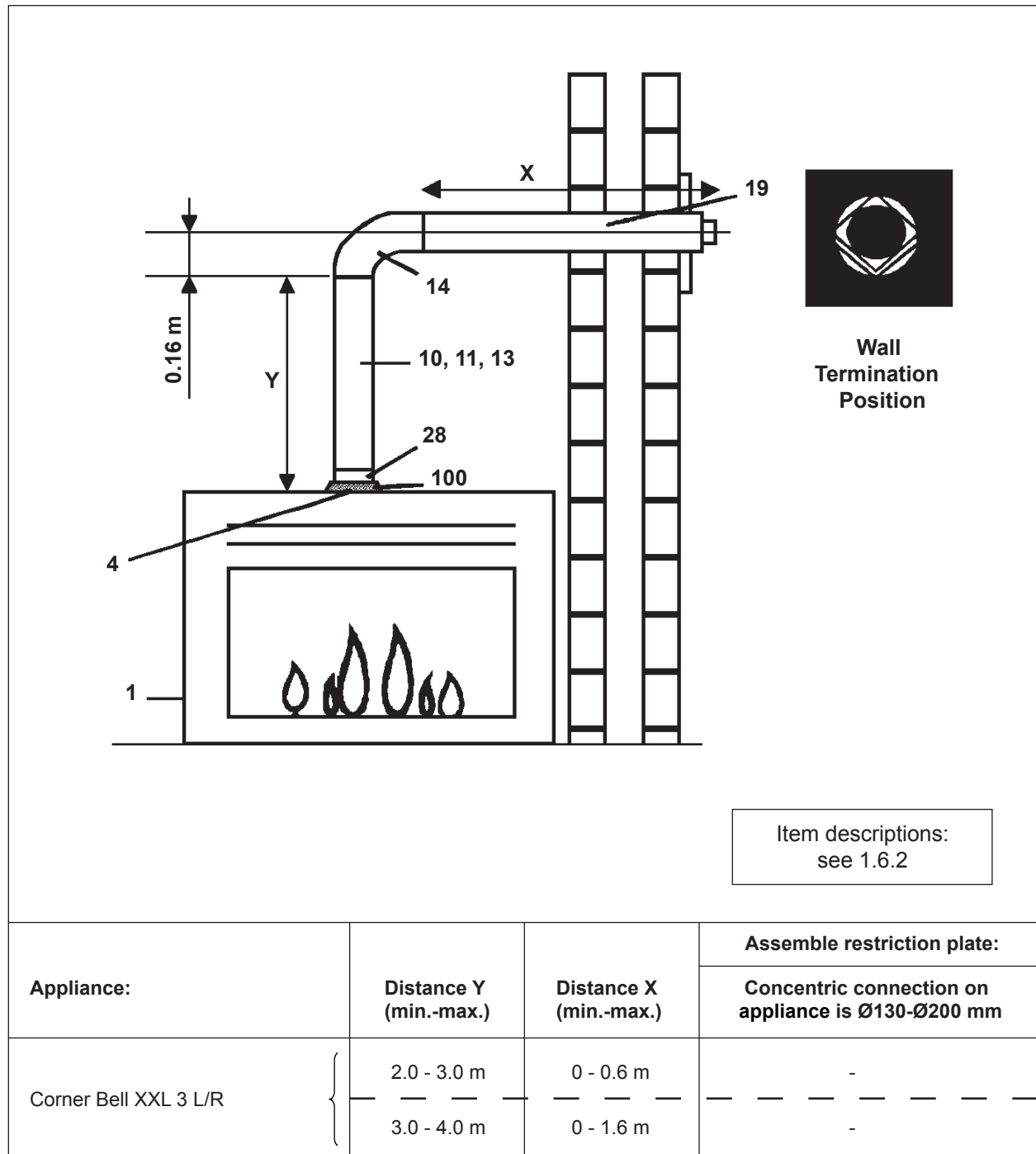


Figure 10: Horizontal wall termination

ALL SIZES INCLUDE THE LENGTH OF THE ROOF OR WALL TERMINATION

RIGID CONCENTRIC FLUE Ø130 mm - Ø200 mm SYSTEM CONNECTION
POSSIBILITIES and with wall outlet Ø100 mm - Ø150 mm

Appliance: Concentric flue connection Ø130-Ø200 mm

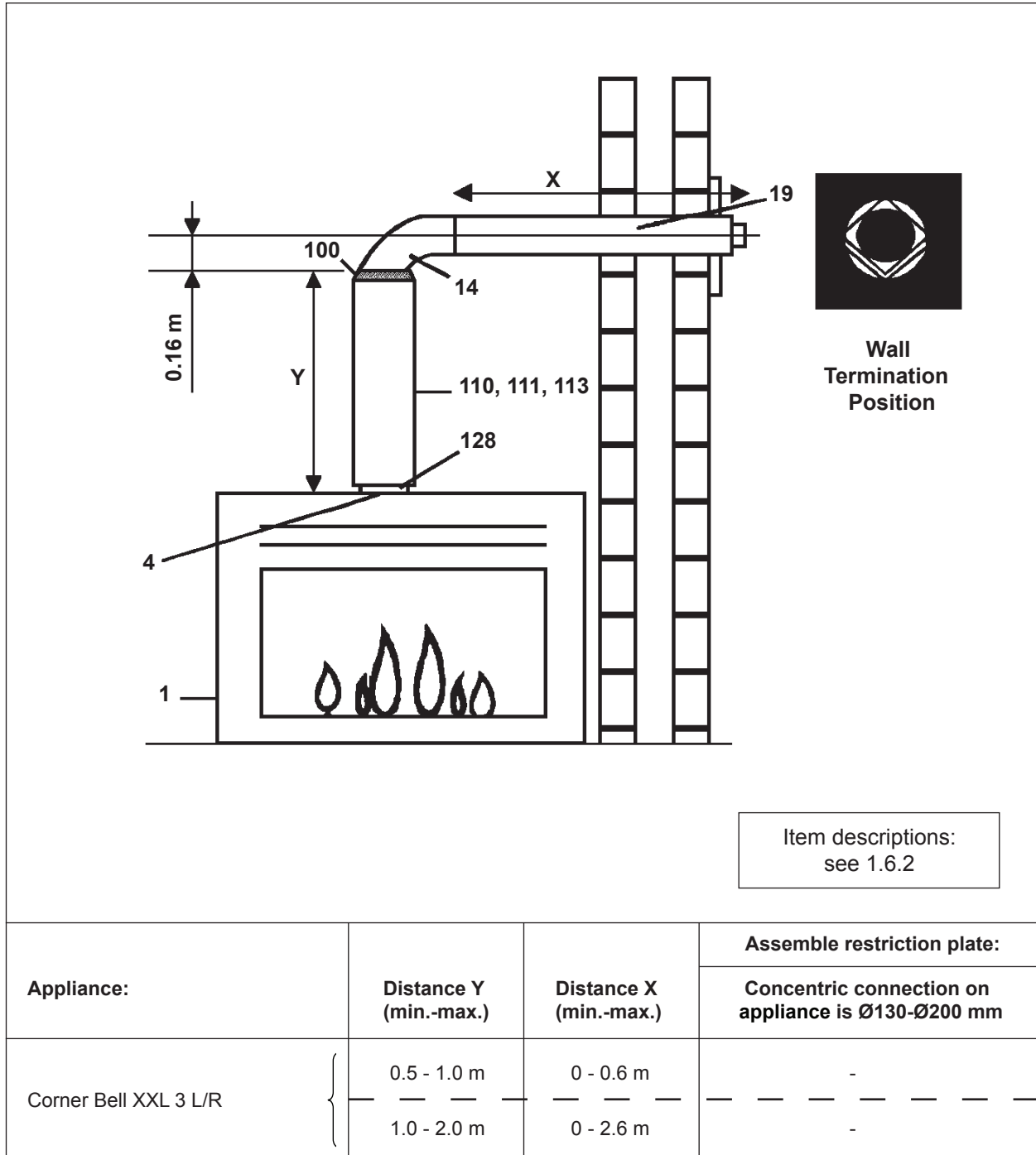
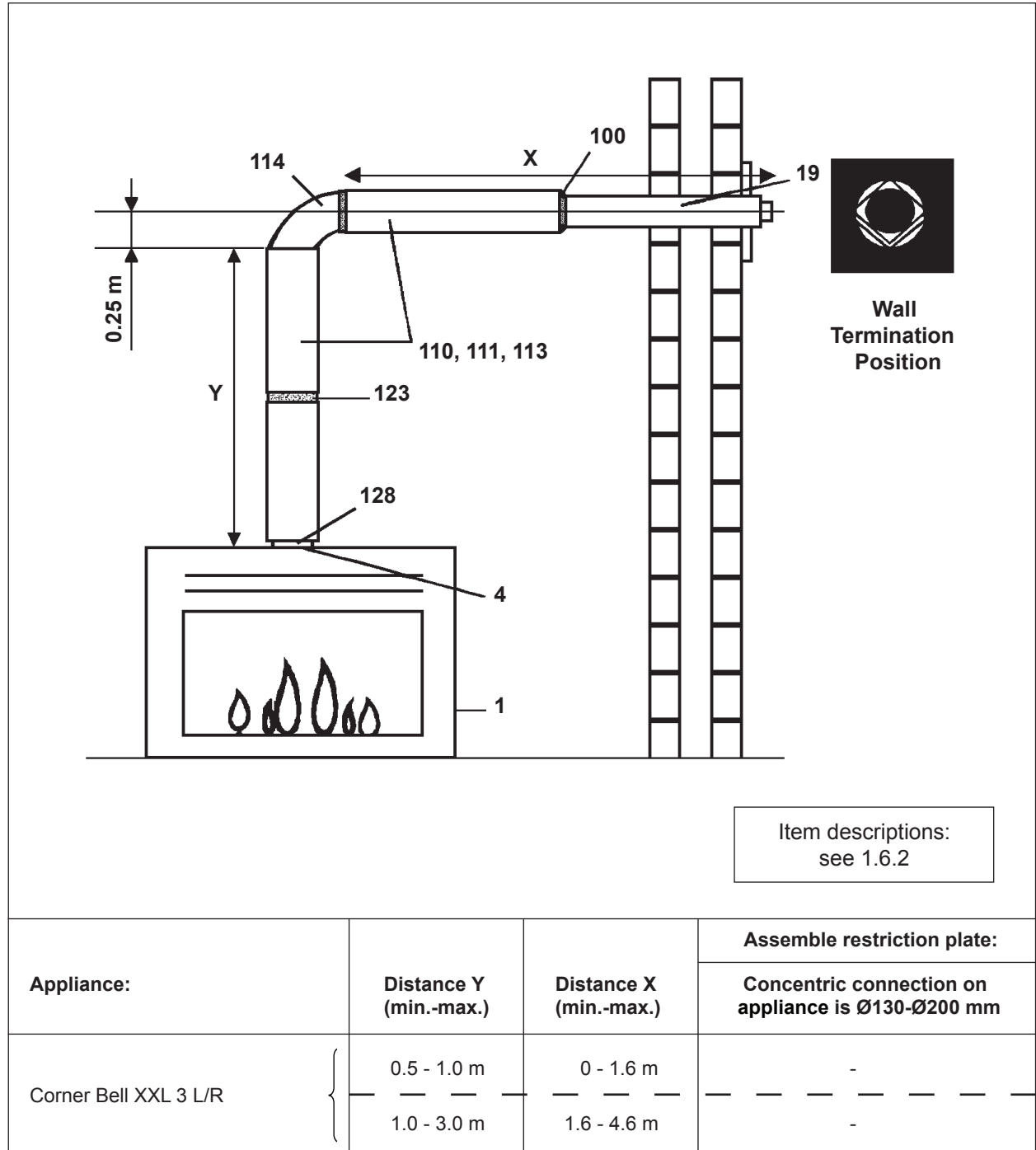


Figure 11: Horizontal wall termination

ALL SIZES INCLUDE THE LENGTH OF THE ROOF OR WALL TERMINATION

RIGID CONCENTRIC FLUE Ø130 mm - Ø200 mm SYSTEM CONNECTION
POSSIBILITIES and with wall outlet Ø100 mm - Ø150 mm

Appliance: Concentric flue connection Ø130-Ø200 mm



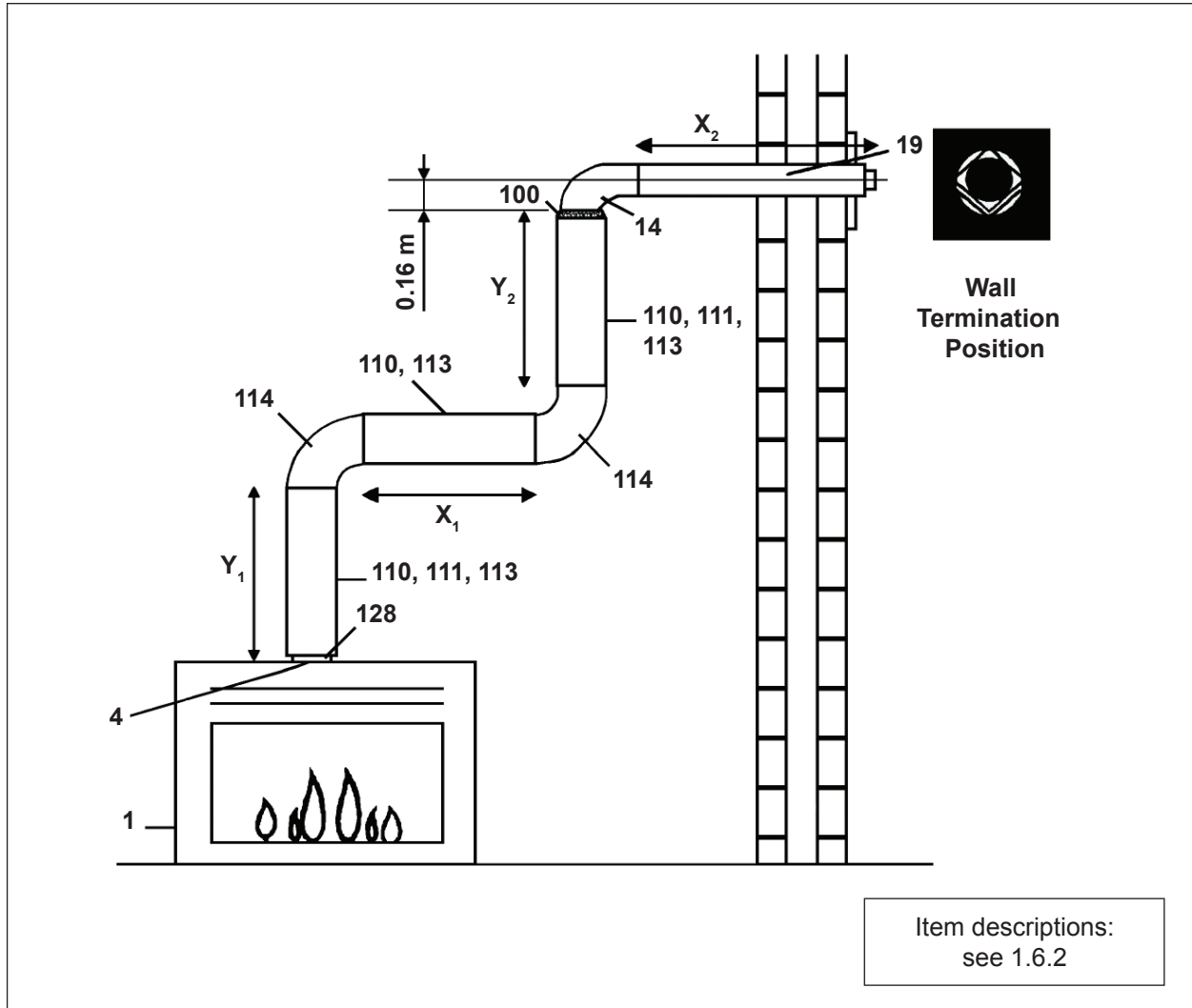
| Appliance: | Distance Y (min.-max.) | Distance X (min.-max.) | Assemble restriction plate: |
|-----------------------|---------------------------|---------------------------|-------------------------------------------------------|
| | | | Concentric connection on appliance is Ø130-Ø200 mm |
| Corner Bell XXL 3 L/R | 0.5 - 1.0 m | 0 - 1.6 m | - |
| | 1.0 - 3.0 m | 1.6 - 4.6 m | - |

Figure 12: Horizontal wall termination

ALL SIZES INCLUDE THE LENGTH OF THE ROOF OR WALL TERMINATION

RIGID CONCENTRIC FLUE Ø130 mm - Ø200 mm SYSTEM CONNECTION
POSSIBILITIES and with wall outlet Ø100 mm - Ø150 mm

Appliance: Concentric flue connection Ø130-Ø200 mm



| Appliance: | Distance Y ₁ (min.-max.) | Distance X ₁ (min.-max.) | Distance Y ₂ (min.-max.) | Distance X ₂ (min.-max.) | Assemble restriction plate: |
|-----------------------------|----------------------------------------|----------------------------------------|----------------------------------------|----------------------------------------|-------------------------------------------------------|
| | | | | | Concentric connection on appliance is Ø130-Ø200 mm |
| Corner Bell XXL 3 L/R | 0 - 0.5 m | 0 - 0.5 m | 0.5 - 1.0 m | 0 - 0.6 m | - |
| | 0.5 - 1.0 m | 0 - 0.5 m | 0 - 0.5 m | 0 - 0.6 m | - |
| | 1.0 - 3.0 m | 0 - 1.0 m | 0.5 - 2.0 m | 0 - 0.6 m | - |
| | 1.0 - 3.0 m | 0 - 3.0 m | 1.0 - 3.0 m | 0 - 0.6 m | - |

Figure 13: Horizontal wall termination

ALL SIZES INCLUDE THE LENGTH OF THE ROOF OR WALL TERMINATION

RIGID CONCENTRIC FLUE Ø130 mm - Ø200 mm SYSTEM CONNECTION
POSSIBILITIES and with wall outlet Ø130 mm - Ø200 mm

Appliance: Concentric flue connection Ø130-Ø200 mm

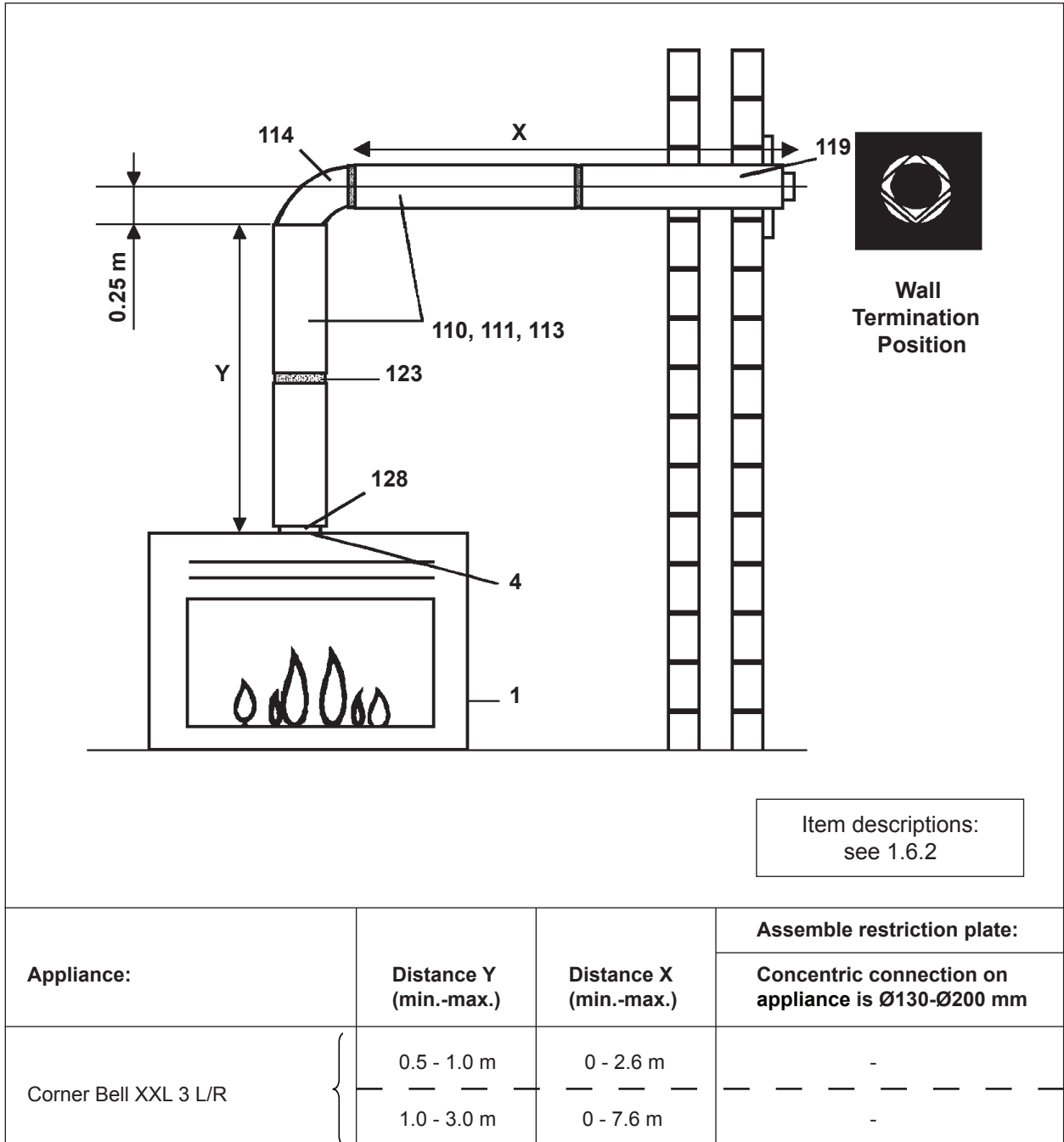


Figure 14: Horizontal wall termination

ALL SIZES INCLUDE THE LENGTH OF THE ROOF OR WALL TERMINATION

1.6.2 Item descriptions for figures 4 t/m 14

| FIG. NO. | DESCRIPTION |
|----------|----------------------------------------------------------------------------------------------|
| 1 | Gas fire; Concentric flue connection Ø130/Ø200 mm |
| 2 | - |
| 3 | - |
| 4 | Restriction plate (The different sizes restriction plates are supplied with every appliance) |
| 5 | Chimney, min. Ø150 mm internal, totally gas tight. |
| 6 | Chimney or fireproof sleeving. Min. Ø160 mm internal. |
| 7 | Ø100 mm internal flexible stainless steel gas vent chimney liner AISI 316TI (Gastec QA). |
| 8 | Ø150 mm internal flexible stainless steel gas vent chimney liner AISI 316TI. |
| 9 | - |



For the suitable and available components for concentric chimney systems, please consult the instruction book: "AVAILABLE COMPONENTS CONCENTRIC FLUE-SYSTEMS FOR BELLFIRES GAS FIRES WITH CLOSED COMBUSTION SYSTEM"



- The room-sealed gas appliances have been approved in combination with the components of the concentric flue systems listed in the instruction book: 'AVAILABLE COMPONENTS CONCENTRIC FLUE-SYSTEMS FOR BELLFIRES GAS FIRES WITH CLOSED COMBUSTION SYSTEM', according to the European CE norm for gas appliances and may therefore be used **only** with these components.
- The components of the concentric flue system of:
 - * Bellfires - Muelink & Grol System
 - * Poujoulat - DUOGAS System
 - * Ontop - Metaloterm US System
 - * Jeremias/STB - H-Twin System (STB = Schoorsteen Techniek Brummen NL)
 - * Jeremias - TWIN-GAS System
 may **not** be used together in one installation.
- Check whether the wall or roof termination kit to be used **exactly** matches one of those listed in the above mentioned instruction book.

1.6.3 Gas connection

Operation (gas regulator block (and receiver)) **outside** the appliance (in the operating unit):

The gas connection is situated where the operating unit is built in near to the appliance.

Use only gas piping with a minimum diameter of 1/2" and a shut-off valve.

1.6.4 Operating unit

If the appliance is fitted with an operating unit comprising gas control block and receiver, this will be located, once it has been built in, at a **maximum of 50 cm** from the left or right hand side of the appliance.

1.6.5 Convection package connections

When fitting a convection package (= convection casing and convection set (1x or 2x)), consideration should be given to the openings at approximately 1 meter above the appliance for the warm air exiting grids.

1.7 POSITIONING THE APPLIANCE

Important:



The fireplace is constructed on a sufficiently solid floor that can bear the weight of the appliance.

Ensure a free space of at least 1 cm between the bottom of the appliance and the floor.

Ensure that the temperature of the floor under and in front of the appliance can never rise above 85°C!

Make use of a temperature protection plate (of nonflammable material) on the floor if necessary.

Take care with a floor made of a flammable material.

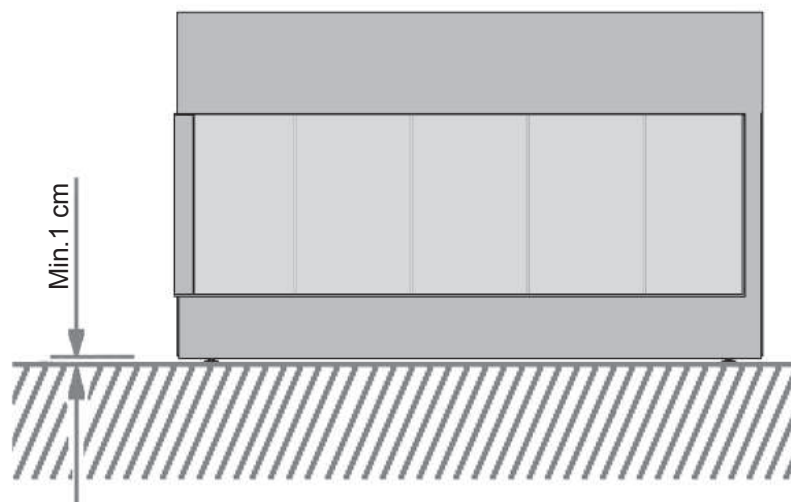


Figure 15: A clearance of at least 1 cm must be maintained between the bottom of the appliance and the floor.

**Never position the appliance directly against the rear wall, but always place a nonflammable insulation plate, at least 12 mm thick, between the appliance and the rear wall, with free space on either side of 2 cm. (Total \pm 5 cm.)
The rear wall must be made of nonflammable material.**

Never use combustible materials during the installation.

Ventilate the fireplace, by allowing vents above and below the fireplace.

During installation of the gas fire, a clearance of 3 mm should be maintained on all sides of the appliance to allow for expansion of the appliance during operation.

Do not insulate the appliance! Only the top and sides may be fitted with a strip of white, loose insulation wool (heat-resistant to 1000°C), width 15 cm max. to protect the wall.

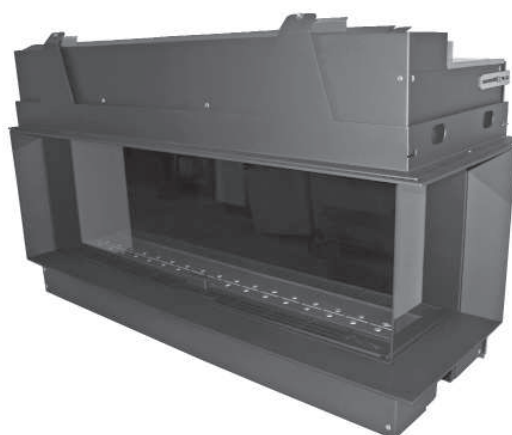
Do not use fibreglass or Rockwool, or any other sort of insulating material. These emit a pungent odour. This is considered extremely unpleasant. They may also cause discolouring of the column.

**Flammable materials, such as curtains, should not be placed in the vicinity of the gas fire.
Minimum safe distance: 100 cm.**

If desired, fit a convection package to the appliance.
(See chapter 1.1)

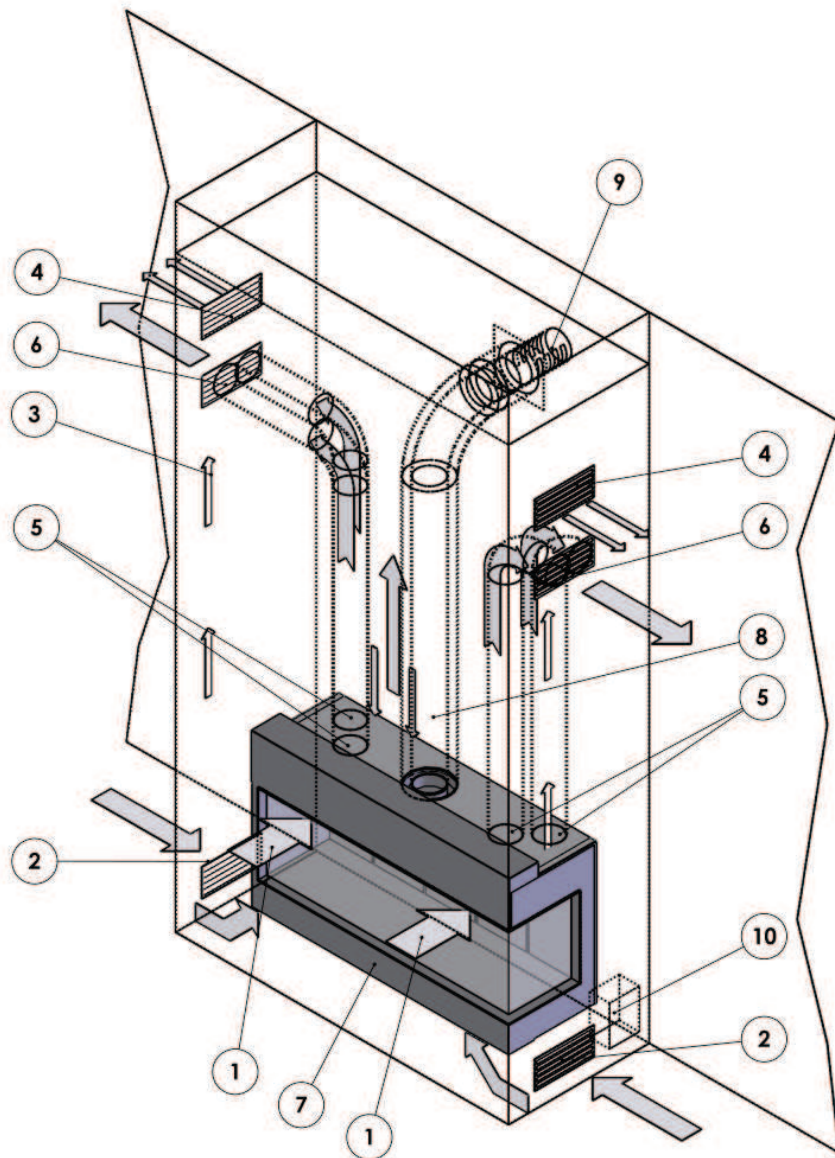


The appliance can be easily installed using a set of carrying brackets (accessory). After installing: remove carrying brackets!



Corner Bell XXL 3 R with options:

- 10 cm frame (4 sided) and mantle iron
- convection package

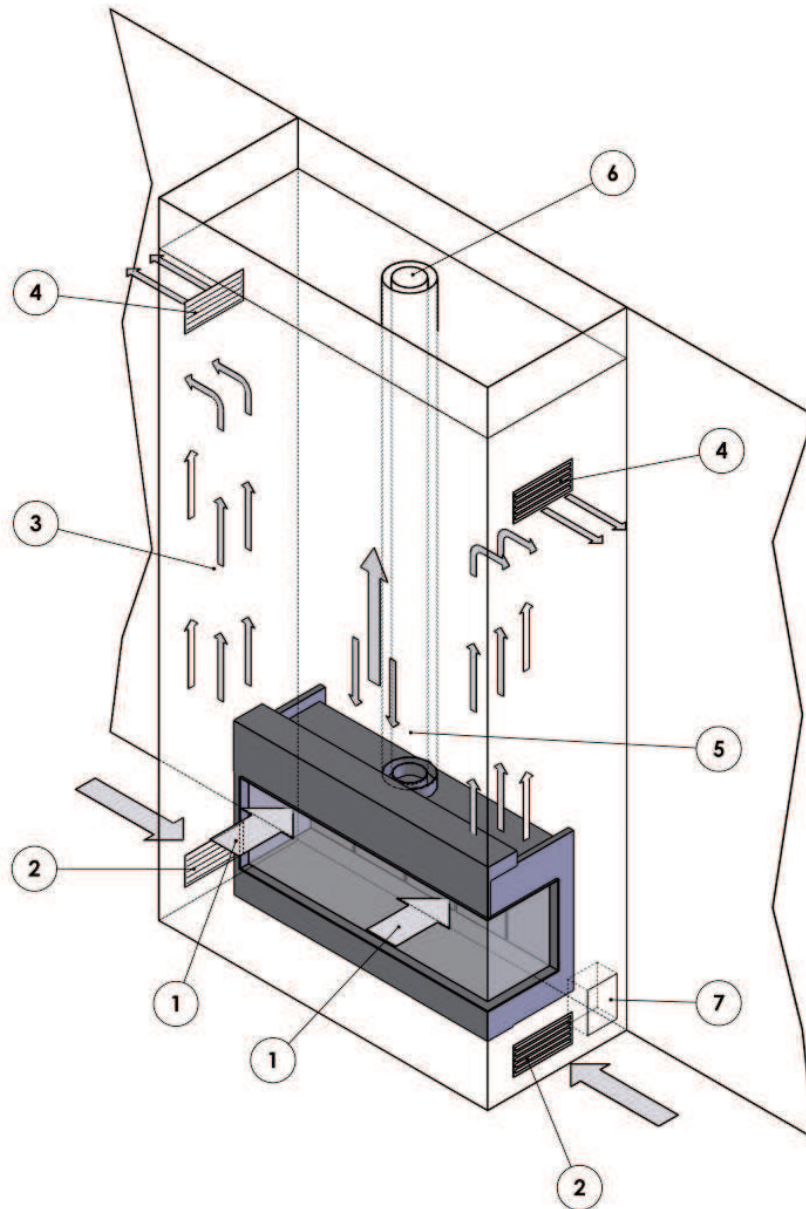


**Figure 16: Appliance installed in ventilated chimney breast
Horizontal outlet of the flue gas exhaust / combustion air
supply via the wall.**

Fitted with the options / accessories:

- convection package (= convection casing and 1x convection set)
- 1x extra convection set
- high adjustable feet

-
- 1 Inlet opening (appliance) convection air
 - 2 Inlet opening (grate) (chimney breast) convection air
 - 3 Natural convection in the chimney breast
 - 4 Outlet opening (grate) (chimney breast) natural convection air
 - 5 Outlet opening (appliance) convection air / connection convection set (2x or 4x)
 - 6 Outlet opening (grill convection set) (chimney breast) convection air (2x or 4x)
 - 7 -
 - 8 Concentric flue connection appliance; Ø130-200 mm for a horizontal wall outlet
 - 9 Horizontal wall outlet
 - 10 Built in operating unit with gas regulator block and receiver



**Figure 17: Appliance installed in ventilated chimney breast
Vertical outlet of the flue gas exhaust / combustion air
supply via the roof.
Fitted without convection package**

- 1 Inlet opening (appliance) convection air
- 2 Inlet opening (grate) (chimney breast) convection air
- 3 Natural convection in the chimney breast
- 4 Outlet opening (grate) (chimney breast) convection air (2x)
- 5 Concentric flue connection appliance; $\text{Ø}130\text{-}200$ mm, with a reduction $\text{Ø}130\text{-}200$ mm \longrightarrow $\text{Ø}100\text{-}150$ mm for a vertical roof outlet
- 6 Concentric flue system; $\text{Ø}100\text{-}150$ mm for a vertical roof outlet
- 7 Built in operating unit with gas regulator block and receiver

When fitting the appliance, it can be levelled with the adjustable feet.
These adjustable feet can be reached via the openings (4x), after removing the protective covers, in the corners of the floor of the combustion chamber.
The floor of the combustion chamber can be reached after the window and the grill around the burner have been removed (see chapter 4).
Using an Allenkey (no. 5), the appliance can be adjusted to the required height.



Press the 4 protecting covers back into the floor.



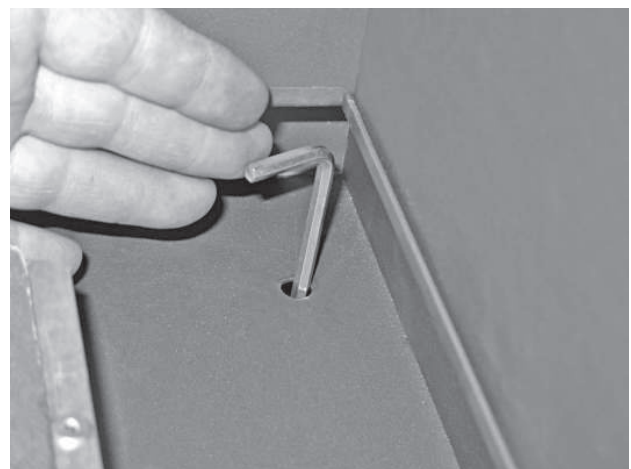
- Position 4 protecting covers.



- Protecting cover.



- Adjustable feet seen from the bottom of the appliance.



- Adjust height with Allenkey no. 5.

Position the gas supply pipe such that it can be easily mounted after installation.

Because the control system is outside the appliance, the gas pipe must lead to where the operating unit (built in), the gas regulator block (and the receiver) assembly are fitted.

Move the appliance until it is ± 5 cm from the rear wall and ensure it is level. Place the nonflammable insulation plate (min. 12 mm) between the appliance and rear wall. The appliance may not be installed against a flammable rear wall.

Attach the appliance to the rear wall with 2 wedge bolts. Use the adjustable mounting brackets at the side of the appliance for this.



- 2x Mounting bracket.

1.7.1 Gas connection operating unit

Important:



During gas connection, take care not to twist the gas regulator block. Make sure that both the gas regulator block and the supply pipes are not subjected to stresses.

The appliance is supplied with a built-in operating unit.

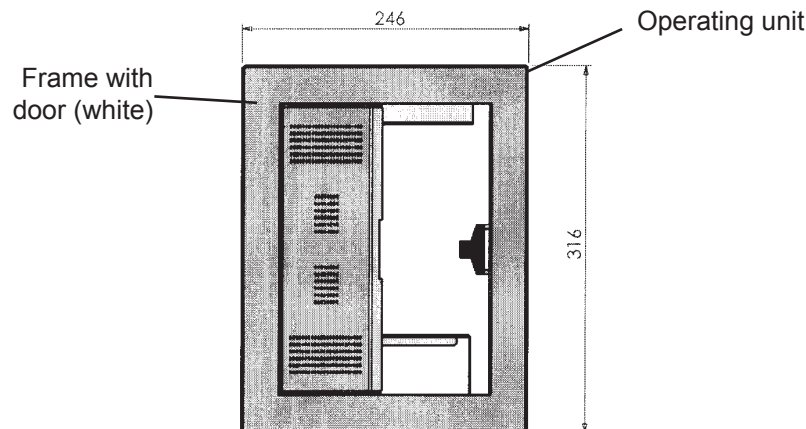


Figure 18: Operating unit

Remove the decorative edging and door of the operating unit.

Fit the separate operating unit, where the gas regulator block and receiver will be placed, on max. 50 cm from the appliance.

The burner, gas regulator block and receiver have been fully factory assembled.

Disconnect the bracket with the gas regulator block and receiver from the appliance. Carefully move the bracket with the gas regulator block, receiver, pipes and cables to the operating unit. Mount the bracket at the bottom of the operating unit.

Important:



Take care that no pipes get damaged and no compression fittings come loose when moving the gas regulator block. Prevent twisting the flexible pipes! Check all compression fittings for leaks afterwards!

Mount the receiver in the top of the operating unit. Check afterwards that all electric connections are properly connected.

General:

Route all piping and cables from the operating unit to the appliance through an easily accessible hollow cavity.

During subsequent installation of the operating unit, protect the gas regulator block and piping against encasement by cement etc.

Important : **Cement and chalk can damage the piping and can, in turn, lead to gas leaks.**



Disassembly and assembly of pipes and cables:

If necessary for mounting, all pipe compression fittings and cable connectors can be temporarily disassembled. After mounting, carefully reassemble all pipes and cables. Check afterwards all compression fittings for leaks and that all electric connections are properly connected.

Important : **Screw the thermocouple connection (and thermocouple interrupter) manually into the gas regulator block. Afterwards, carefully fasten a half turn with a spanner.**



Note : **Check that the flexible burner pipes are correctly connected! The gas connection of the gas valve “rear burner” must be connected to the “rear burner”! See Chapter 5. Switching over the flexible burner pipes during assembly can lead to an explosive ignition. Prevent this at all costs!**

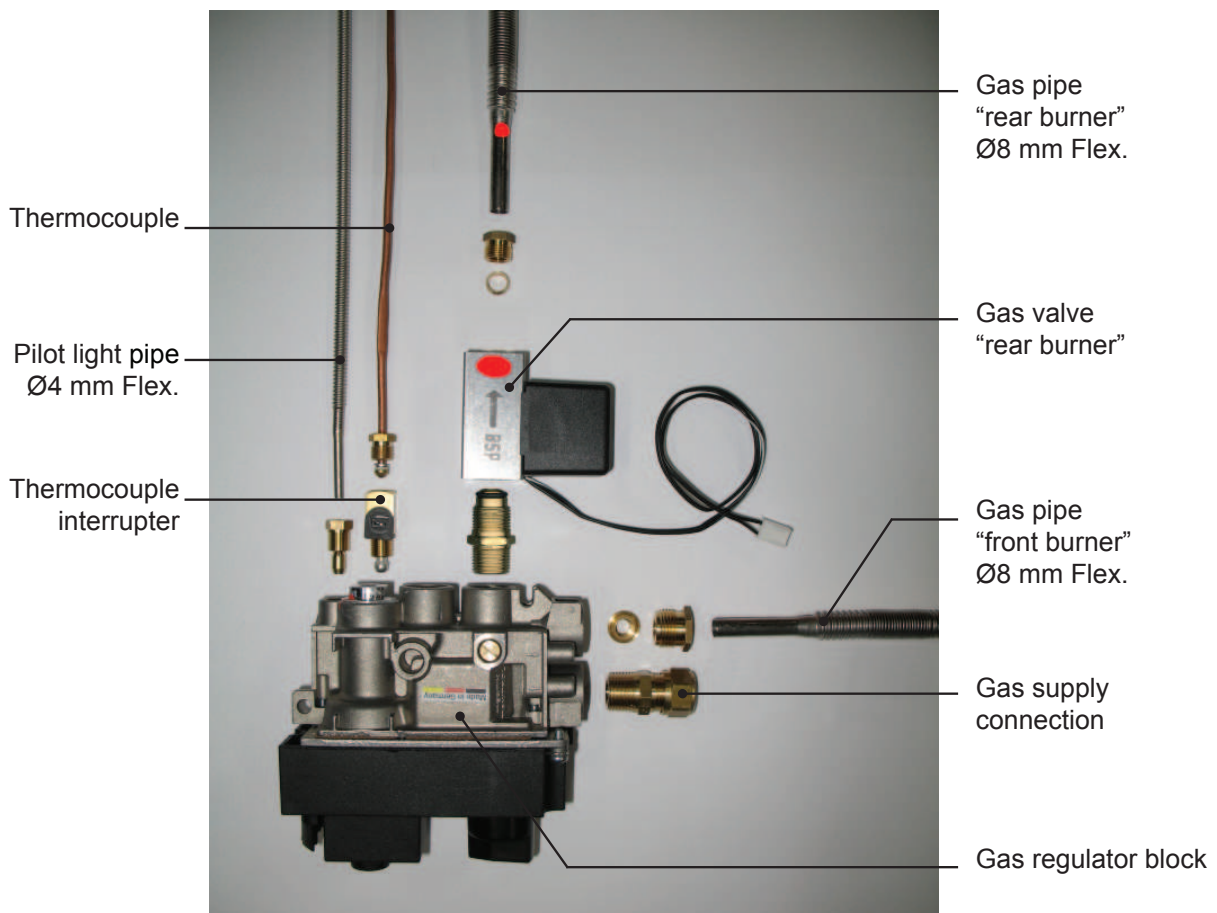


Figure 19: Gas regulator block and gas valve: Gas and thermocouple connections

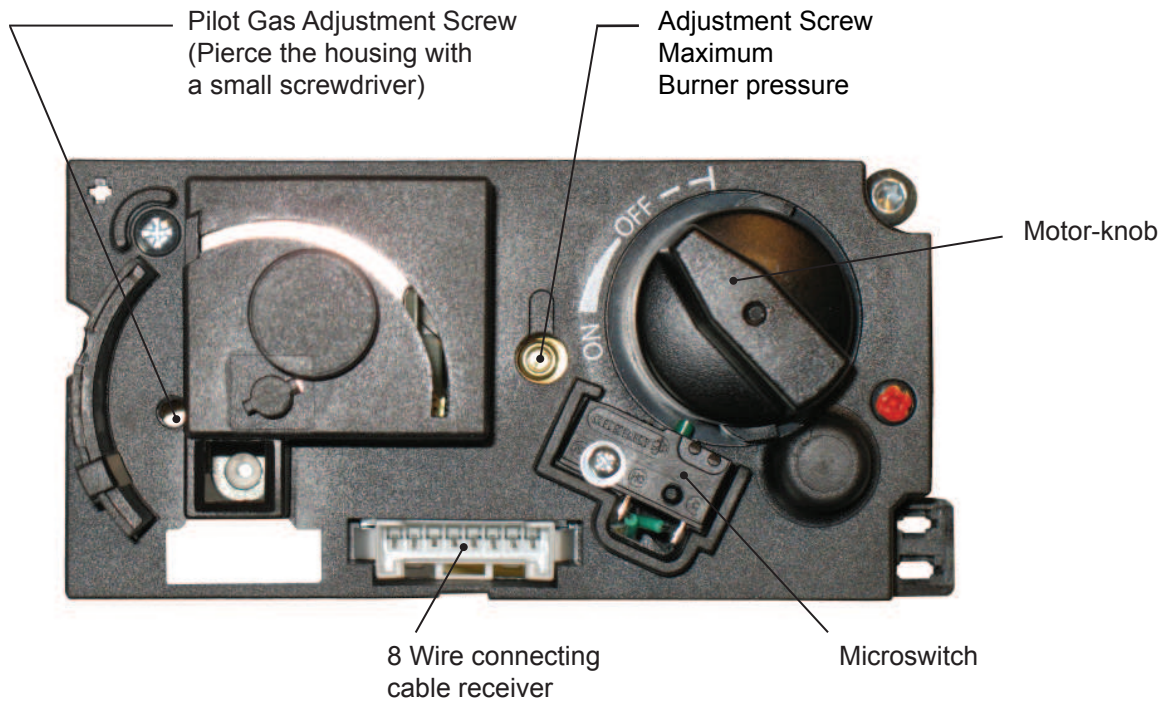


Figure 20: Gas regulator block - Front

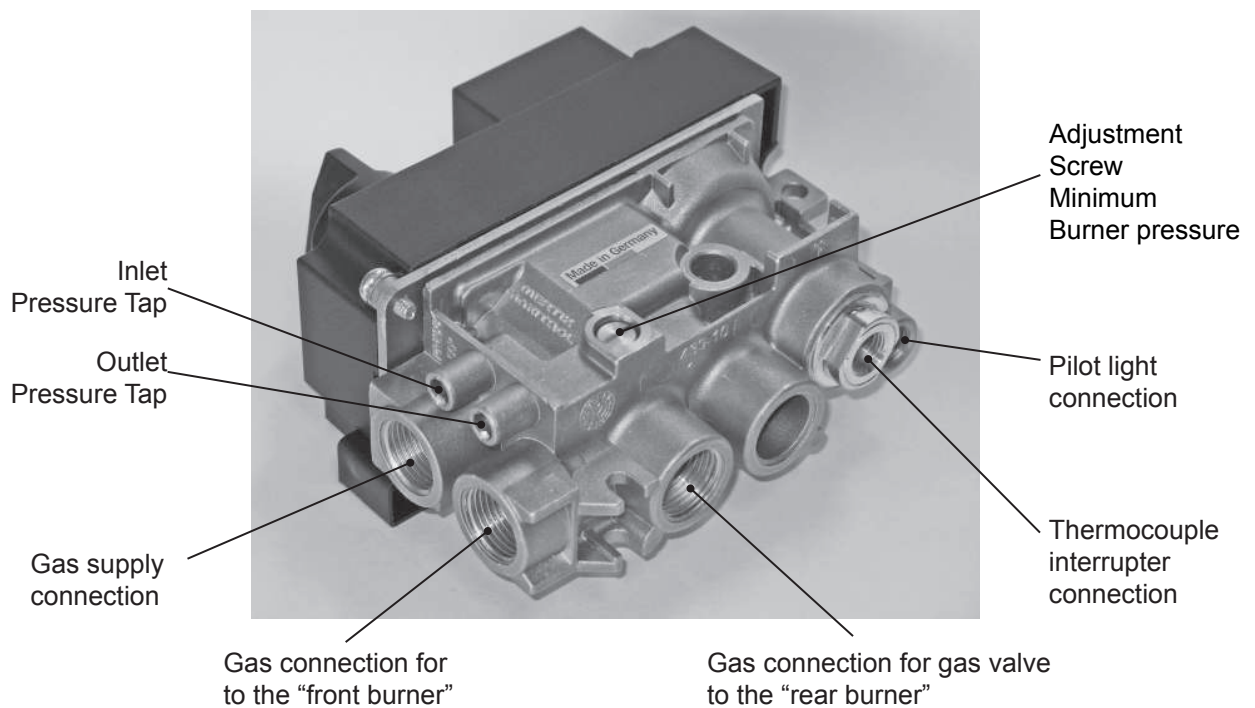


Figure 21: Gas regulator block - Rear

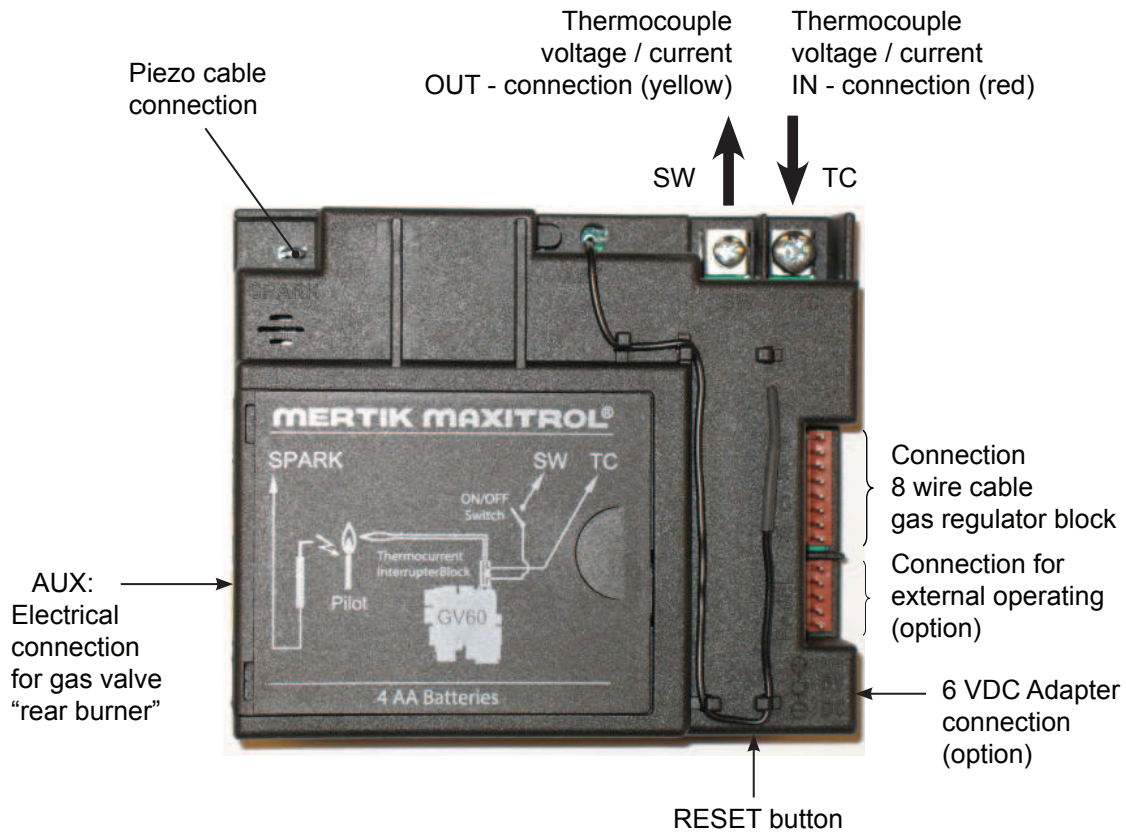


Figure 22: Receiver - Top

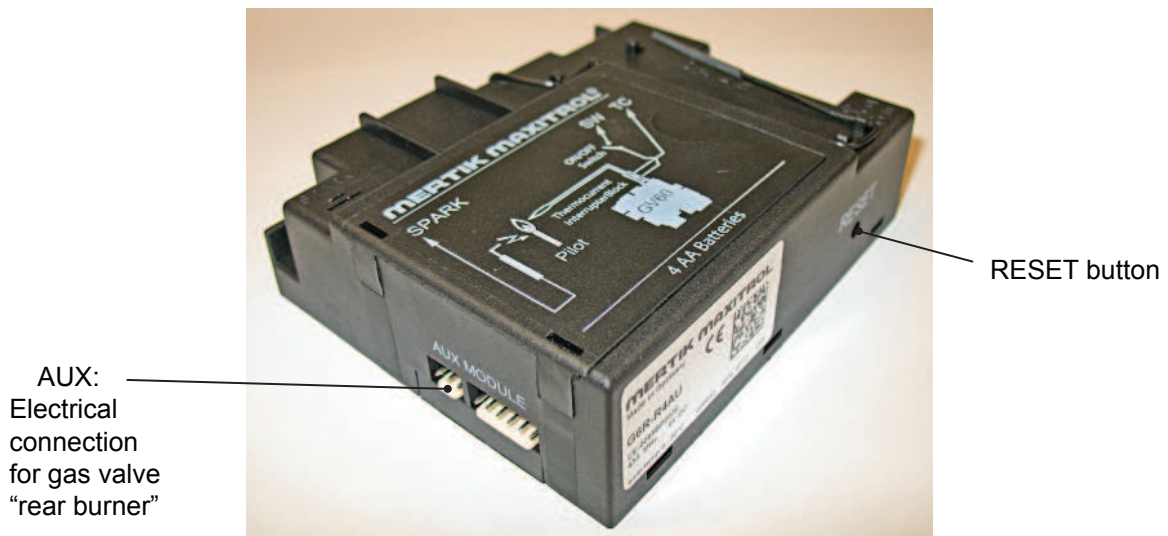


Figure 23: Receiver - AUX connection - RESET button

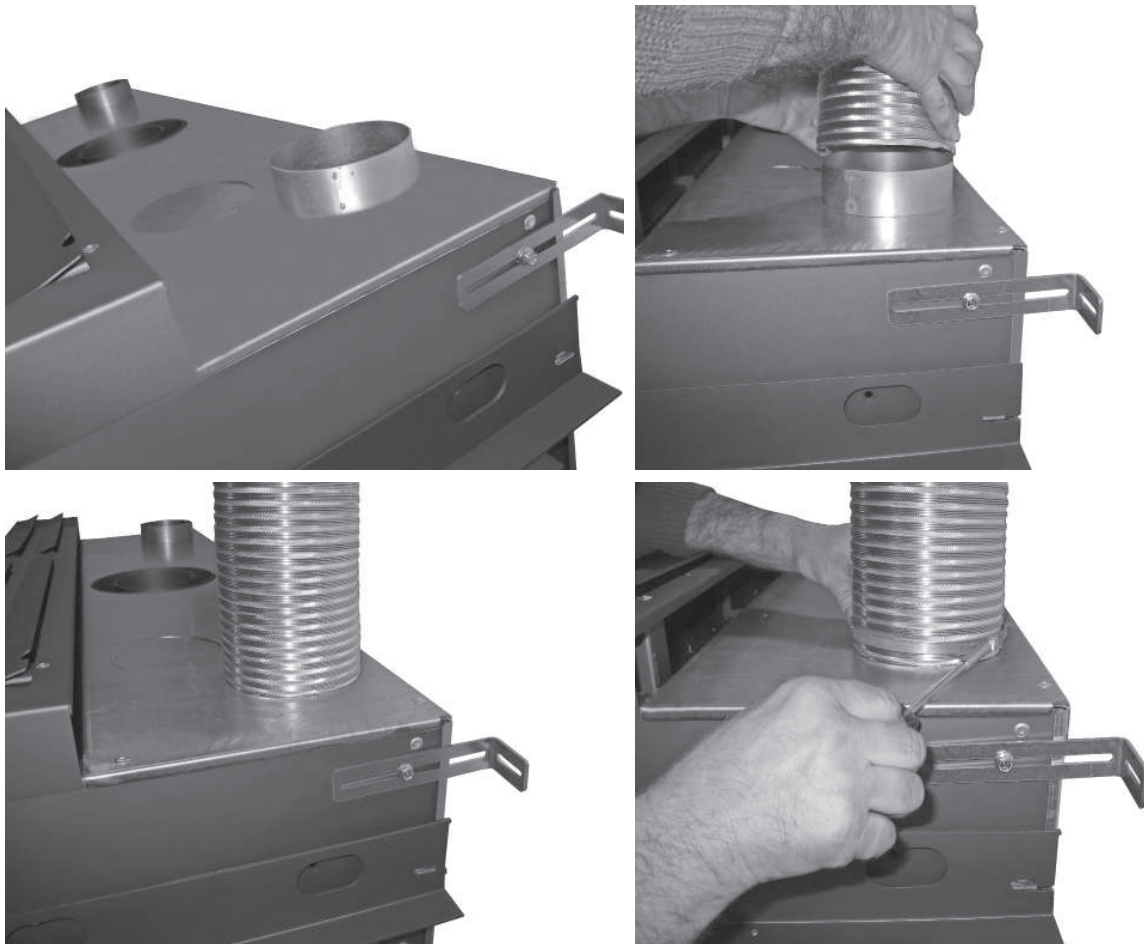
1.7.2 Connecting the concentric flue

Assemble the concentric flue system according to one of the examples in section 1.6.1, figure 4 to 14 inclusive.

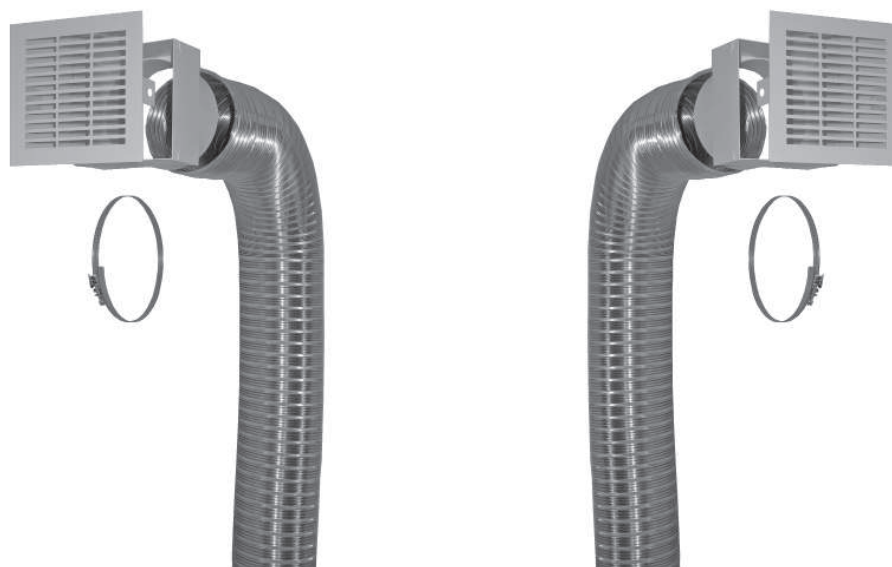
Make sure that all connections are completely gas tight.

1.7.2.1 Mounting the convection package (option)

The convection package (option) consists of a convection casing and a convection set. The convection set is supplied separately and consists of two flexible aluminium pipes, hose clamps and two built-in convection grills (fitting box and grill).



Mount the aluminium pipes on the collar adaptors of the convection top plate. Use the supplied hose clamps. The flexible aluminium pipes are stretchable to a length of ± 3 meter.



Position the two fitting boxes in the fireplace, at a minimum distance of 30 cm under the ceiling. Mount the other end of the aluminium pipes onto the fitting boxes. To do this use the hose clamps supplied. When the fireplace is completely finished, mount the grilles onto the fitting boxes.



Within a range of 30 cm either side and 50 cm above the escape opening, there must be no flammable materials (e.g. wooden ceiling, fitted furniture).

1.7.3 Building in the appliance

Remove the front of the casing, if applicable. (See Chapter 4: Dismantling / Assembling of the glass.)

Decide on positions of the vents (grilles above and below the fireplace) and, if applicable, the hot air grids of the convection package.

The brickwork must be built up around the appliance. In connection with the appliance expanding during burning: there must be at least 3 mm clearance on either side of the appliance. Do not build up the brickwork farther than the angle irons/brackets (keep in mind the thickness of any plastering!).

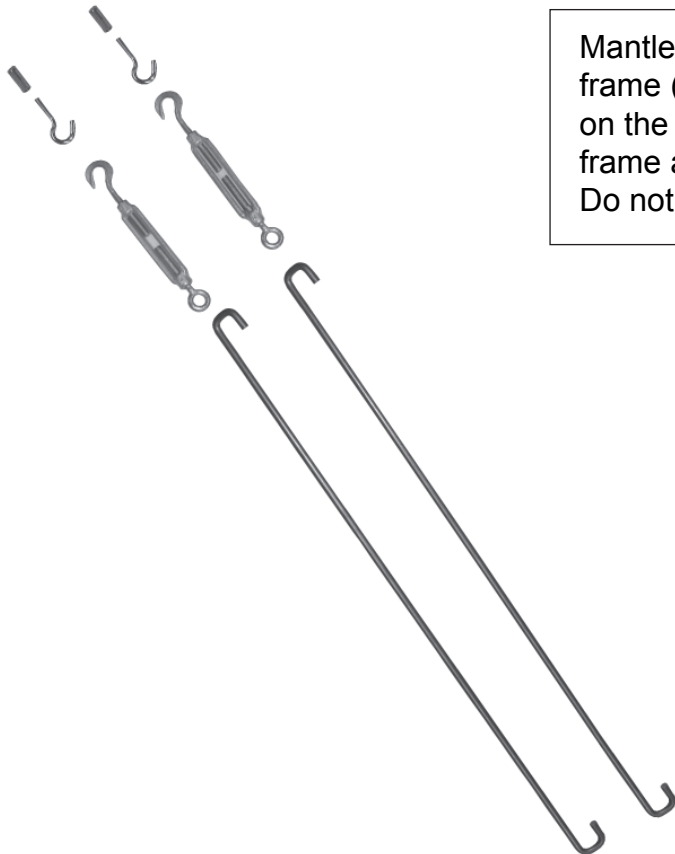


Do not use masking tape on the appliance when installing and plastering.
Tape can damage the finish of the appliance.

Connect up the convection package, if applicable. See 1.7.2.1.

Mantle iron (option).

The optional mantle iron is intended for supporting the brickwork above the appliance. The mantle iron must rest on the brickwork on both sides so that upward building is possible. Level the mantle iron with the supplied bar set.



Mantle iron in combination with the 10 cm frame (option). The mantle iron is screwed on the top panel of the 4 sided 10 cm frame at the factory.
Do not unscrew this connection !

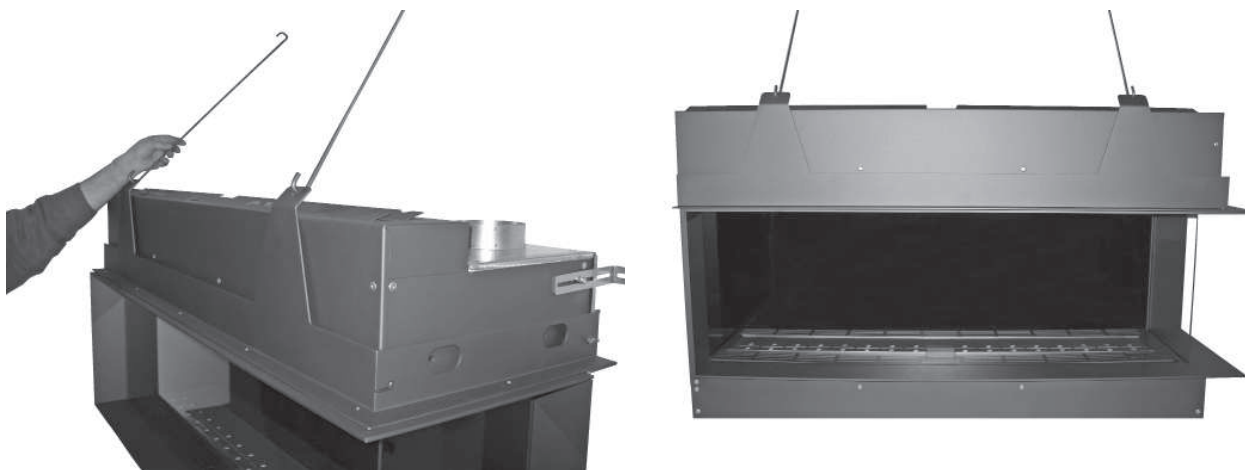
Bar set:

- 2x draw bars
- 2x tension sleeves
- 2x M6 hooks
- 2x brass expansion plugs M6

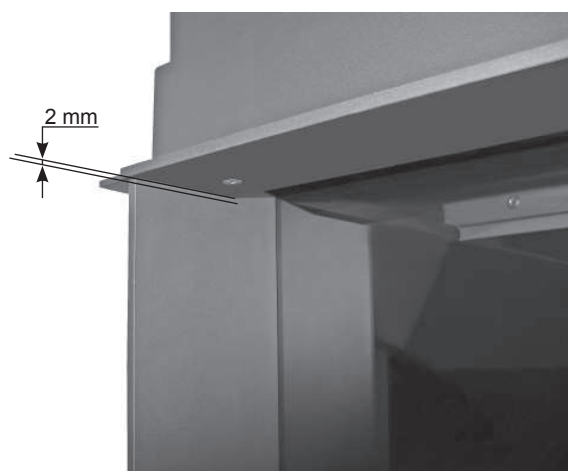


First remove the 2 mantle iron transport-spacers "REMOVE"

Note! Temporarily support the mantle iron, so that it does not fall forwards.



Fix the mantle iron to the rear wall with the bar set. Place the draw bars at an angle of about 60° (between the appliance and the wall). Level the mantle iron with the tension sleeves.

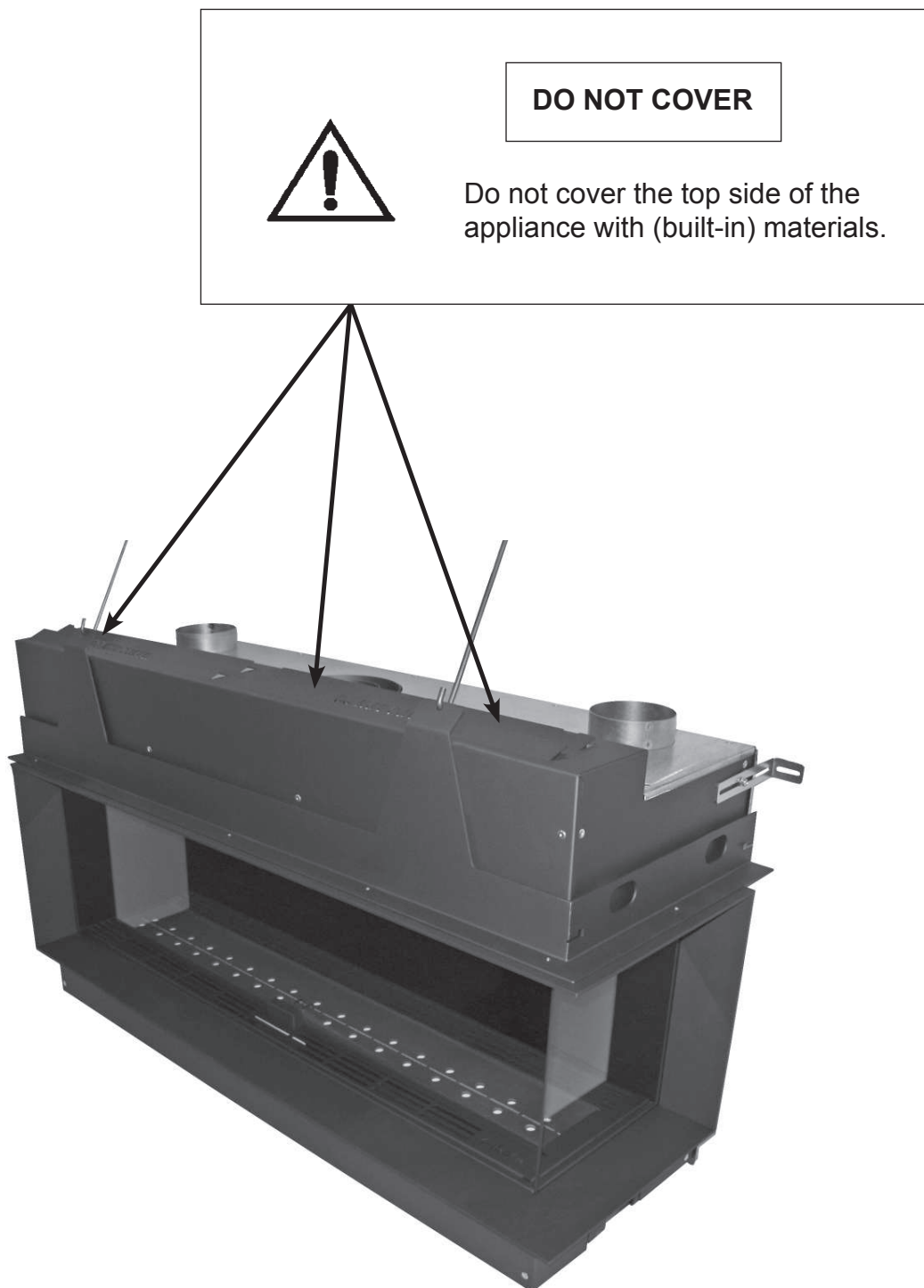


Ensure that the height between the mantle iron and the underside of the glass is the same at left, middle and right.

Keep a clearance of 2 mm between the mantle iron and the top of the side panels. The side panels should always be easily removable. Check that the mantle iron is at right angles to the side panels, both left and right.

Put ceramic felt on the top of the mantle iron, before laying bricks or using other heat-resistant structural materials.

If using other materials, such as stone or heat-resistant plating, you should follow the supplier's instructions.



Once the fireplace has been finished, you can now, fit the frame with the small door to the operating unit.

After installation in a new fireplace and/or applying new cement work, the appliance cannot be used for at least four weeks.

1.7.4 Checking the gas connection

After connection of the gas supply, check that all connections are completely gas tight using soapy water or a leak tester.

1.7.5 Positioning the ceramic log set or marble pebbles

The appliance can be supplied with:

- Ceramic log set + embers
- Marble pebbles white (small, white marble stones)
- Marble pebbles grey (small, grey marble stones)

Important:

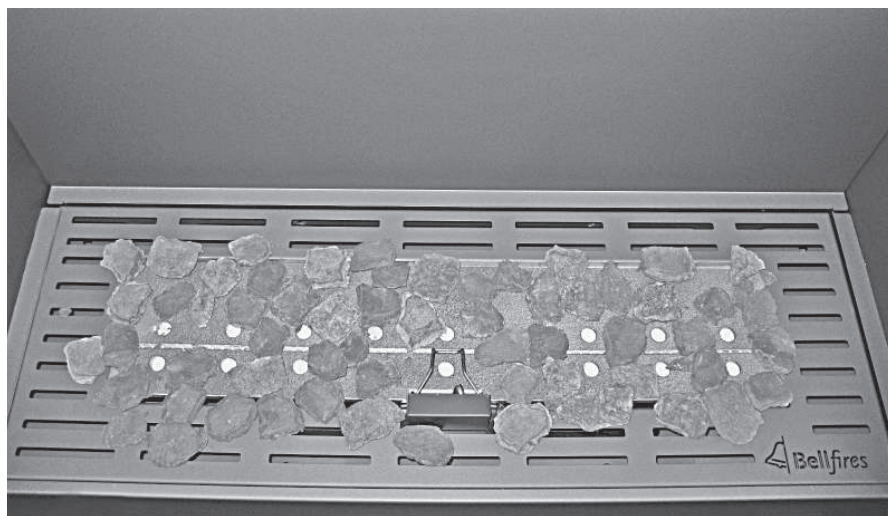
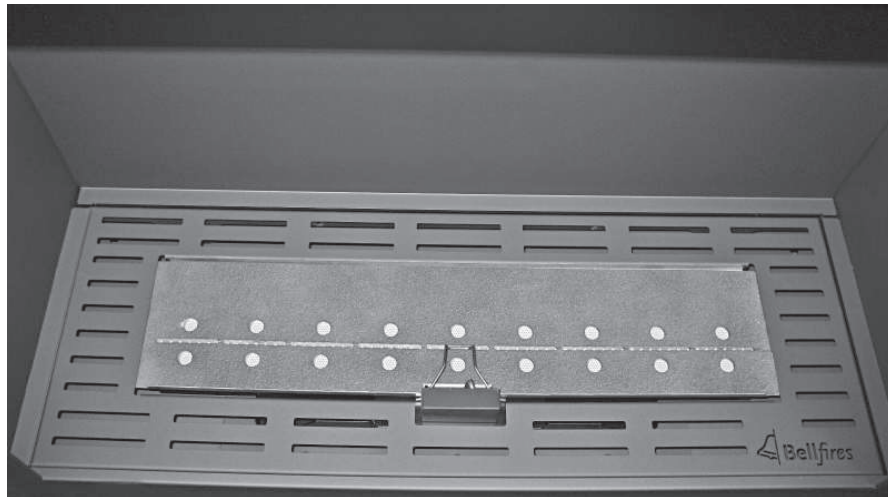


- **Carefully place the chips of wood/embers/vermiculite granules/ log set or marble pebbles, on and around the main burner according to the directions in this chapter.**
- **Do not place any chips of wood/embers/vermiculite granules/ log set or marble pebbles against the pilot light burner. For that reason, the main burner has a protective pilot-light cowl. Never remove this cowl! Make sure that the pilot flame can burn at all times freely over the main burner. Only in this way is proper ignition of the main burner ensured. Ignoring these directions could lead to a dangerous situation.**
- **Make sure that all burner orifices remains free at all times!**
- **The burner bed (with chips of wood/embers/vermiculite granules) and the positioning of the logs or marble pebbles must not be changed.**
- **Only use those items supplied! These been rigorously checked and the quantities adapted to the appliance.**
- **Replacement parts, including the ceramic mat are available from your dealer.**
- **Fitting may only be carried out by a qualified person.**

Remove the glass according to the instructions in chapter 4; DISMANTLING / ASSEMBLING OF THE GLASS.

1.7.5.1 Ceramic log set + chips of wood + embers + vermiculite granules

- 1 Place the ceramic mat on the burner in such a way that the holes in the mat are in line with the burner openings.
- 2 Remove the embers carefully from their packaging and spread them evenly over the burner mat and the grate around the burner.
- 3 Distribute the vermiculite granules (50 gram) evenly over the burner.



Note ! :



- **Small embers and their residue should not be scattered on the burner. This can cause a blockage on the burner orifices.**
- **Embers and vermiculite granules must not be placed next to the pilot light burner.**
- **Important: make sure that all burner openings remain free !! Burner orifices, which are not open, could lead to a dangerous situation.**

4 Place the logs on the burner:

| <u>Appliance</u> | <u>Natural gas-burner</u> see figure: | <u>Propane / Butane-burner</u> see figure: |
|-----------------------------|------------------------------------------|-----------------------------------------------|
| Corner Bell XXL 3 L/R CF/LF | 24 | 25 |

Keep the burner orifices unblocked !!!

5 Place the chips of wood around the burner.

Logs:



Log no ①



Log no ②



Log no ③



Log no ④



Log no ⑤



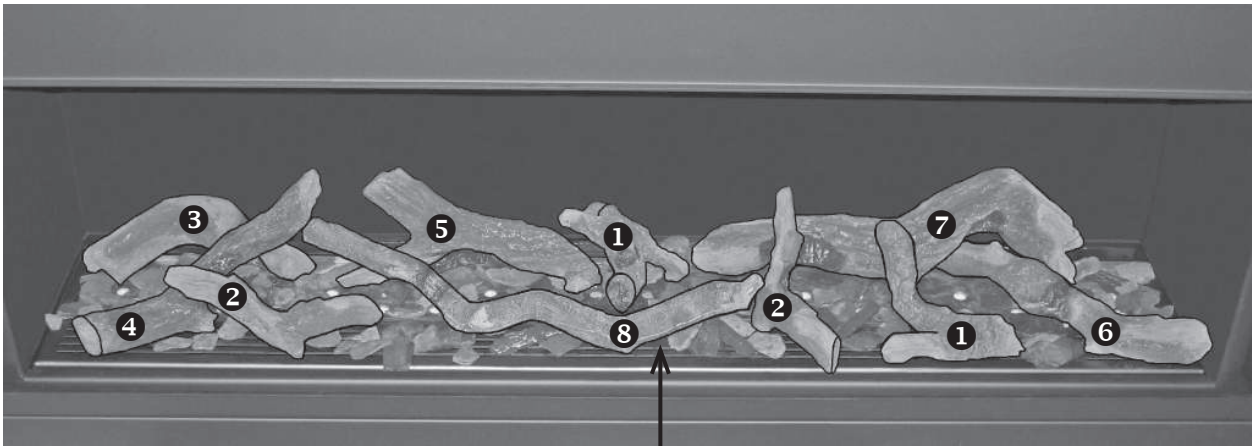
Log no ⑥



Log no ⑦



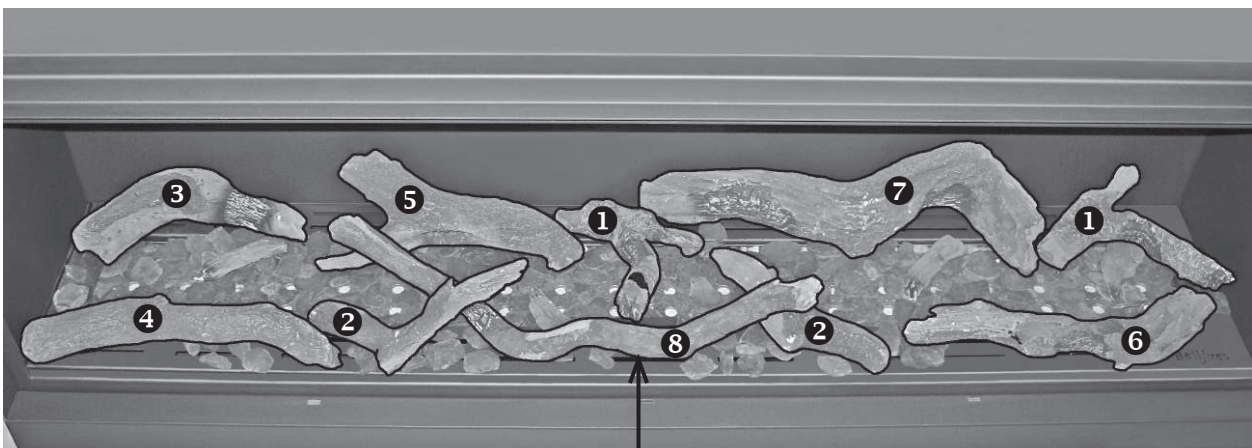
Log no ⑧



Embers must not be placed next to the pilot light burner

Keep the burner orifices unblocked!

**Figure 24: Log set Corner Bell XXL 3 L/R CF/LF
Position natural gas burner**



Embers must not be placed next to the pilot light burner

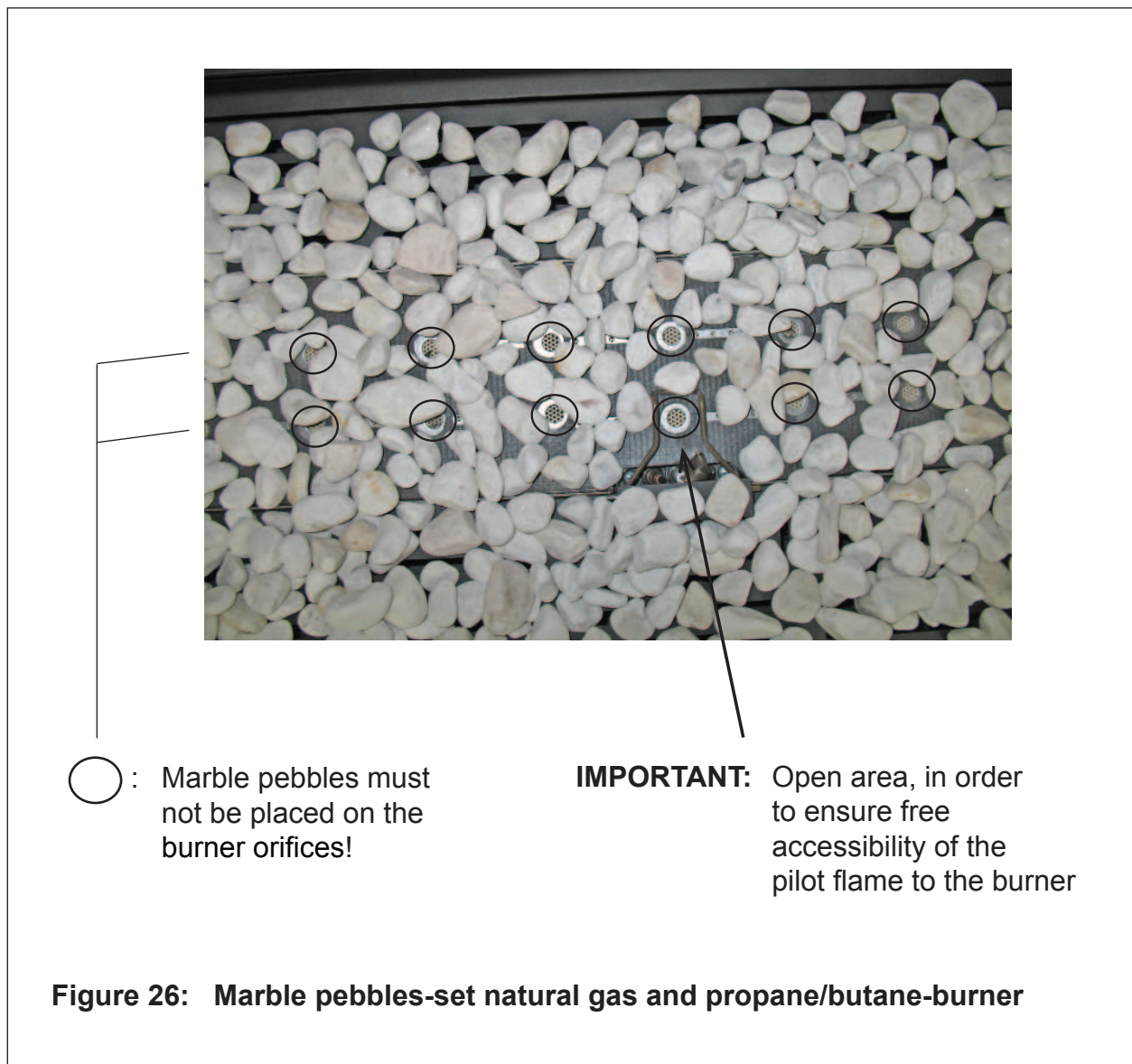
Keep the burner orifices unblocked!

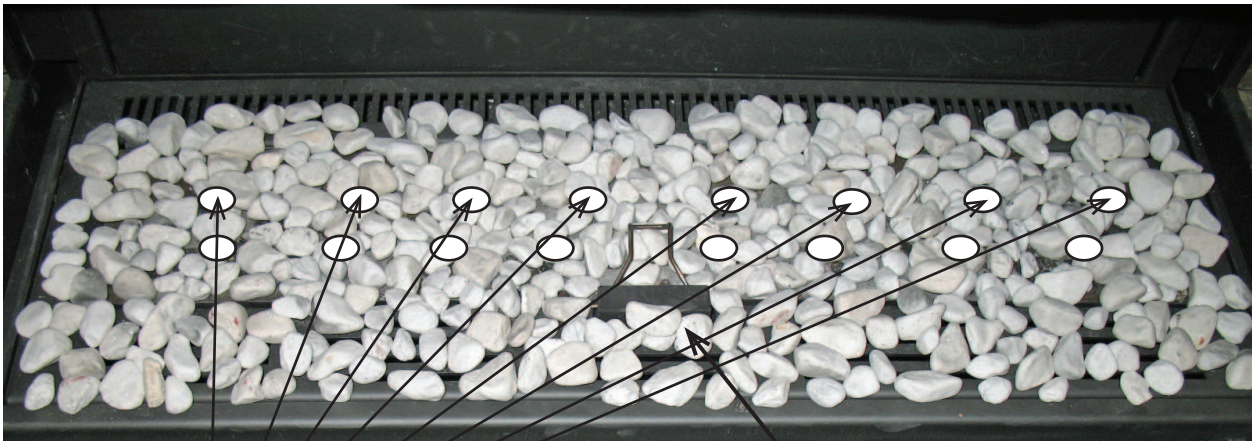
**Figure 25: Log set Corner Bell XXL 3 L/R CF/LF
Position propane/butane burner**

1.7.5.2 Marble pebbles

- 1 Place the ceramic mat on the burner in such a way that the holes in the mat are in line with the burner openings.
- 2 Spread the pebbles over the whole burner bed (burner and grid around the burner). Make sure that the pilot light remains free.

Corner Bell XXL 3 L/R CF/LF : see figure 26 and 27





○ : Marble pebbles must not be placed on the burner orifices!

Marble pebbles must not be placed next to the pilot light burner

Keep the burner orifices unblocked!

**Figure 27: Marble pebbles Corner Bell XXL 3 L/R CF/LF
Position natural gas and propane/butane burner**

- Important:**
- Do not place any marble pebbles in front of the pilot light. Make sure that the pilot light can burn freely over the main burner.
 - Keep the burner orifices unblocked.



Only this way a proper ignition of the main burner is ensured.

Once the logs / marble pebbles have been positioned, replace the glass in the appliance, following the instructions in chapter 4: DISMANTLING / ASSEMBLING OF THE GLASS.

1.7.6 Mounting flue gas restriction plate

Depending on the length and shape of the concentric flue system and the chimney construction, you should, if indicated, fit a restriction plate with a certain width (B) into the ceiling of the combustion chamber.

To do this, see the set-up options as listed in figure 4 through 14.

Important:



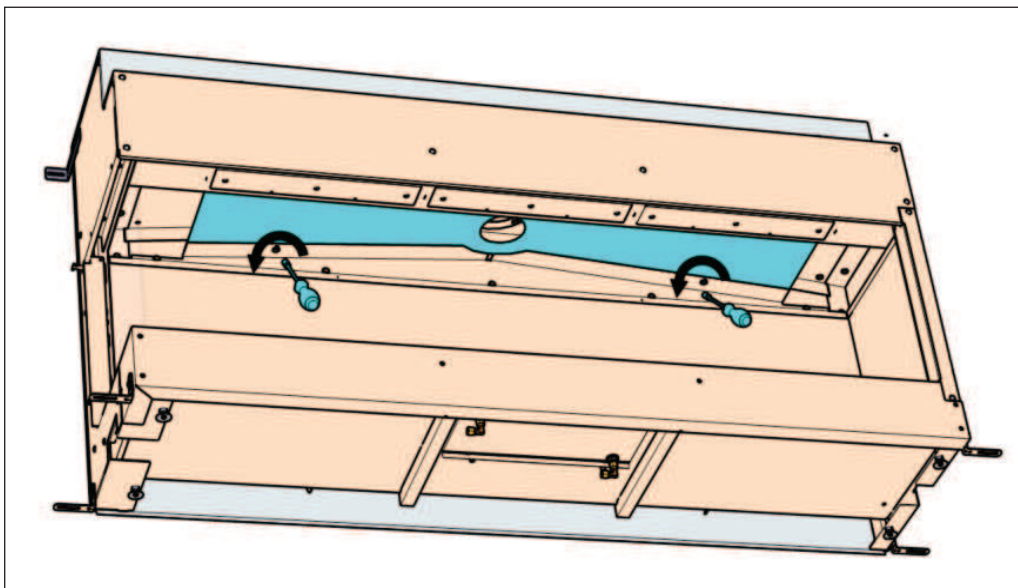
Ensure that the correct flue gas restriction plate is mounted. Use of the correct flue gas restriction plate will provide optimum efficiency, flame effect and combustion. Mounting an incorrect flue gas restriction plate can result in damage to the gas fire.

Baffle plate:

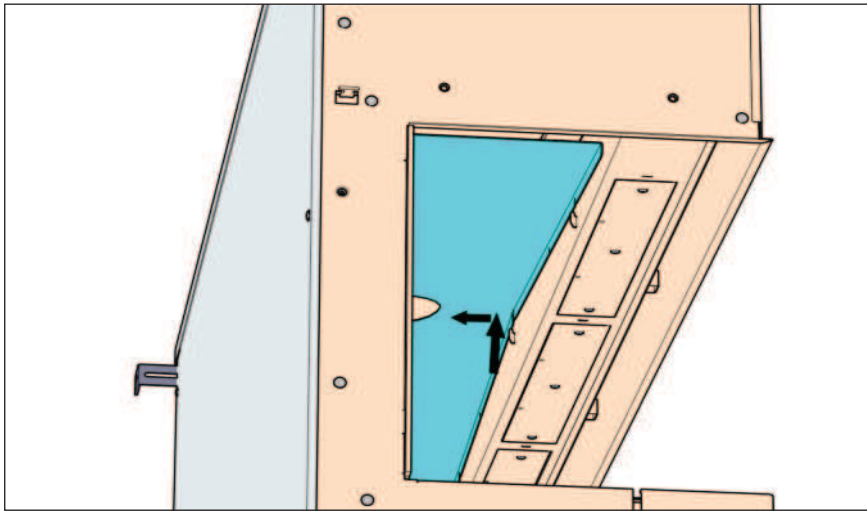
To install the restriction plate, the baffle plate must first be removed.

This baffle plate is located at the top of the combustion chamber, just before the connection with the concentric channel.

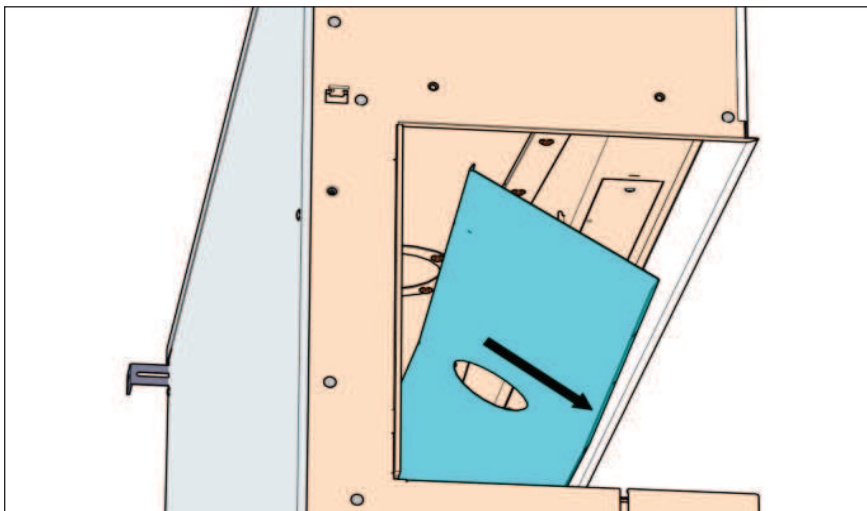
Assembly restriction plate :



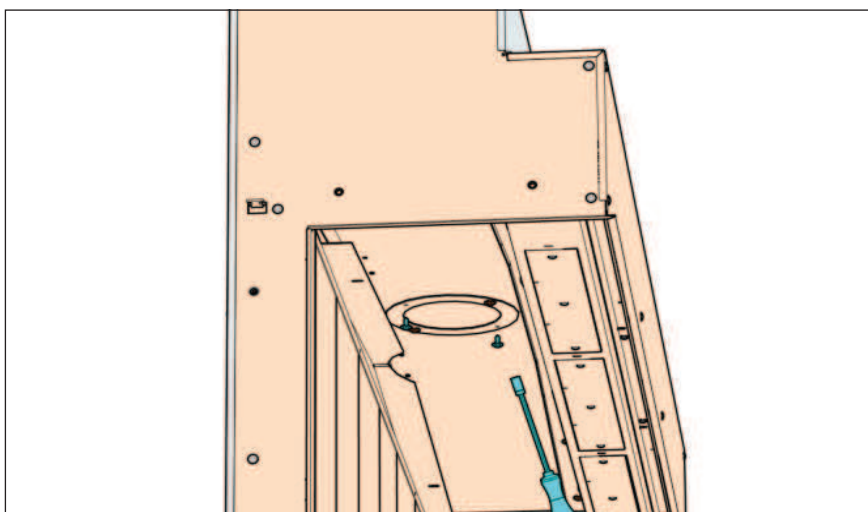
1. Loosen the 2 bolts of the baffle plate.



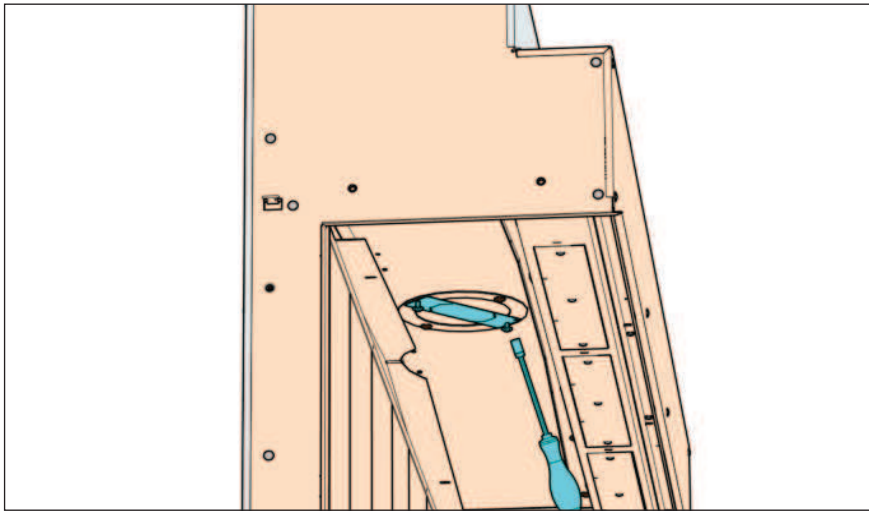
2. Lift the baffle plate on the front, and slide it backwards.



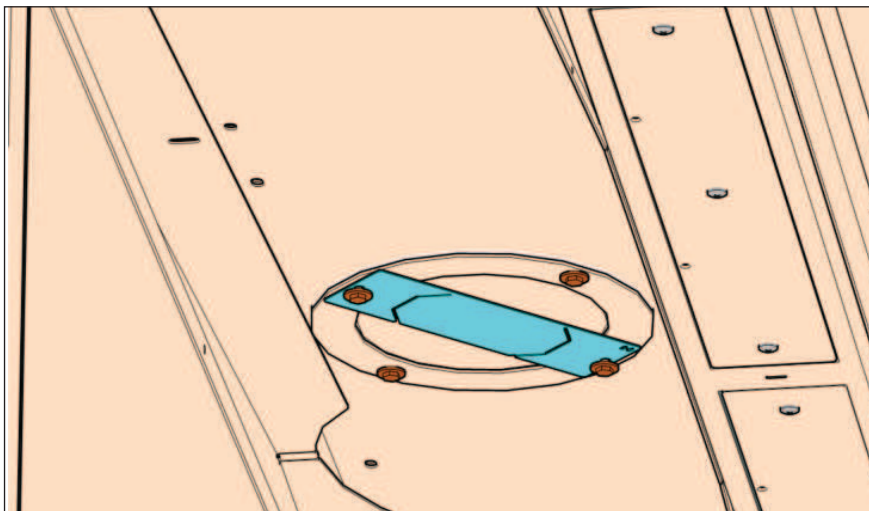
3. Take the baffle plate out through the front.



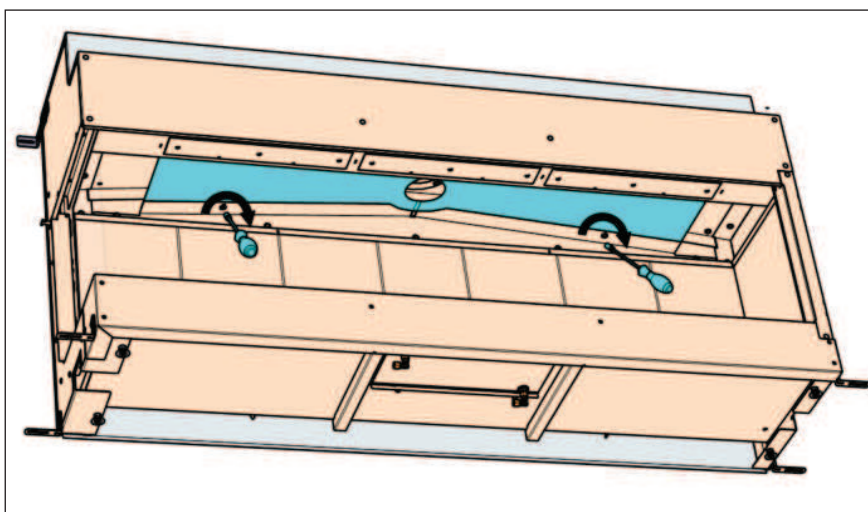
4. Loosen 2 bolts of the flue gas connection.



5. Fit the restriction plate, with 2 bolts, to the flue gas connection.

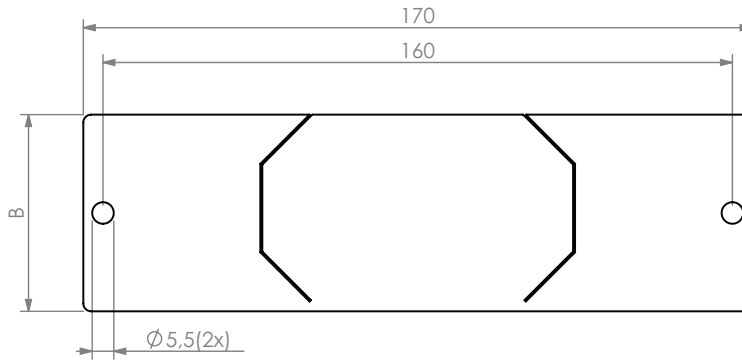


6. Position restriction plate after assembly.



7. Assemble the baffle plate in the reverse order, and secure the two bolts.

The following restriction plates are supplied:



| | Concentric flue connection appliance | |
|--------------------|---------------------------------------------------------|------------------------------------------------------|
| Restriction plate: | [$\varnothing 130 - 200$ mm] Horizontal wall outlet | [$\varnothing 100 - 150$ mm] Roof-mounted outlet |
| Width: | - | B = 30 mm |
| Width: | B = 40 mm | B = 40 mm |
| Width: | B = 50 mm | B = 50 mm |
| Width: | B = 65 mm | B = 65 mm |
| Width: | B = 80 mm | - |

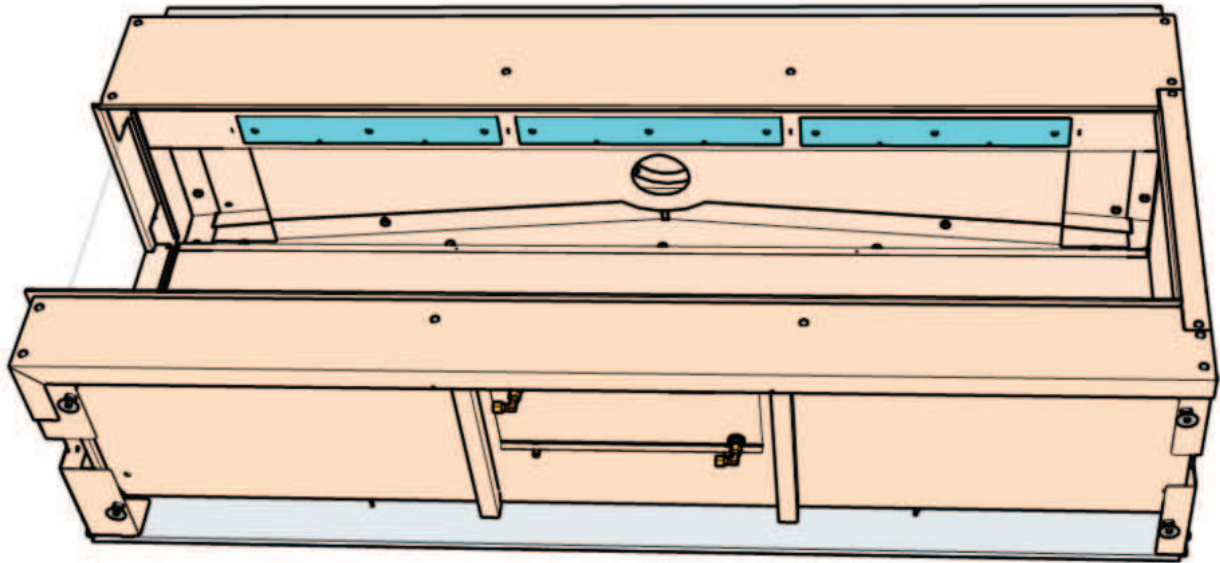
1.7.7 Check overpressure hatches

There are three overpressure hatches in the roof of the combustion chamber (front).



Check that the hatches are loose, by lifting a little and carefully letting them come down again.
Check if the packing under the hatches is sealed.

Overpressure hatches; left, middle and right, in the correct position.



Check functioning of overpressure hatch.
The middle overpressure hatch pivots up-forward.
The left and right overpressure hatch pivots up-backward.

Check packing of overpressure hatch.
If necessary, the packing can be replaced by lifting the hatch, tilting it and removing via the opening.



1.7.8 Checking the appliance following installation

After installation, visually check the gas flame. When the fire is ignited, the flames should be short and blue/yellow in colour. These flames should gradually increase in height and become more yellow. When all flames are yellow, the gas fire has reached the correct temperature.

THE GAS FIRE IS NOW READY FOR USE

2 MAINTENANCE

2.1 ANNUAL MAINTENANCE



It is **essential** that the appliance, the complete concentric flue system (where possible) and the outlet are cleaned and inspected **annually** by a recognised fitter/gas specialist. The safe operation of the appliance will thus remain guaranteed.

Maintenance consists of the following:

- Remove first the embers, vermiculite granules, logs set or pebbles from the main burner and carefully clean these with a soft brush.
- Clean and inspect (visually) the main burner, pilot light, combustion chamber, flue system and combustion air intake. Dust can be removed using a vacuum cleaner.
- Clean the glass on the inside of the appliance with glass spray or ceramic hob cleaner. This also applies to the black mirror rear wall and side panels, if the appliance is fitted with these.

CAUTION !! : If the appliance has anti-reflective glass, please follow the cleaning instructions in Chapter 4 of the “Operating Instructions and Daily Maintenance Manual” booklet. Failure to follow these instructions may result in damage to the anti-reflective glass.

- After cleaning;
Carefully replace the embers, vermiculite granules, logs set or pebbles on and around the main burner according to the installation directions in this instruction booklet.
Do not place any embers, vermiculite granules, logs or pebbles against the pilot light burner. Make sure that the pilot flame can burn at all times freely over the main burner. Only in this way is proper ignition of the main burner ensured.
Ignoring these directions could lead to a dangerous situation.
- Check the gas supply, flue system, and combustion air supply route for leaks.
- Check the correct operation of the gas regulator block, thermocouple circuit and the ignition of the main burner.

-
- Check the gas inlet-pressure (both when the appliance is off and when it burns at maximum) and the burner pressure.
 - Check if the overpressure hatches are correctly positioned and check if the gasket seals are properly positioned under the hatches.
 - Check the complete concentric flue system including the outlet construction. A camera can be used to inspect the whole length of the flue gas outlet and the combustion air intake. Also check that all connections are secure.

3 FAULTS

3.1 POSSIBLE REASONS

Possible reasons for the gas fire going out are:

- The concentric flue system is not installed according to one of the methods detailed in Paragraph 1.6.
- An incorrect “flue gas restriction plate” is fitted.
- The pilot light extinguishes if fumes are not exhausted or are insufficiently exhausted.
- The pilot light is either dirty or defective.
- Insufficient gas pressure.
- (Internal) leak of the concentric flue system.
- Thermocouple voltage is too low. This is usually caused by insufficient heating of the thermocouple by the pilot light.
- Dirty electrical contacts in the thermo-electrical system; for example, the thermocouple connection.
- Batteries in receiver or remote control are flat.

3.2 SAFETY MEASURES IN THE APPLIANCE

3.2.1 Thermo-electric pilot light shut off

The appliance is protected by means of a thermo-electric pilot light shut off in the event of a gas escape from the main burner.

3.2.2 Over pressure safety system

The appliance is fitted with a safety system, whereby hatches will extract any over-pressure that arises in a controlled way. In this, the hatches in the ceiling of the combustion chamber, briefly open. A loud noise can occur. A safety strip limits the maximum openings of the hatches.

If an over-pressure situation occurs, the appliance should be thoroughly checked by the installer.

4 DISMANTLING / ASSEMBLING OF THE GLASS

4.1 CORNER BELL XXL 3 L/R HIDDEN DOOR (10 cm frame (4 sided))

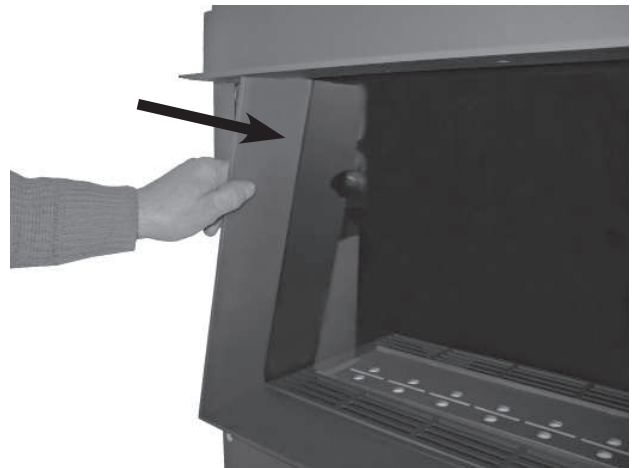
Dismantling of the glass:

Place paperboard on the chimney breast, under the appliance.

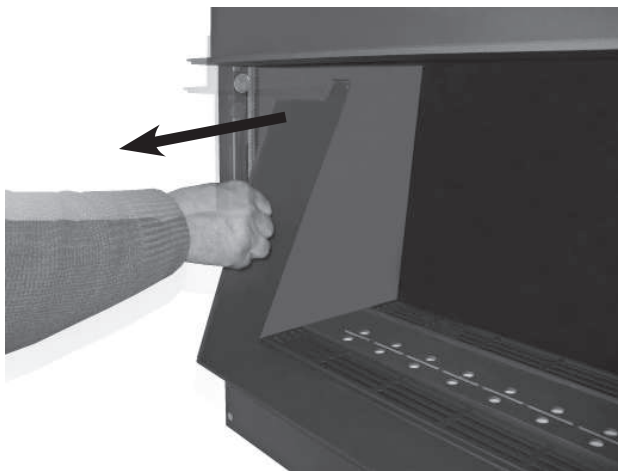
This helps prevent damage.



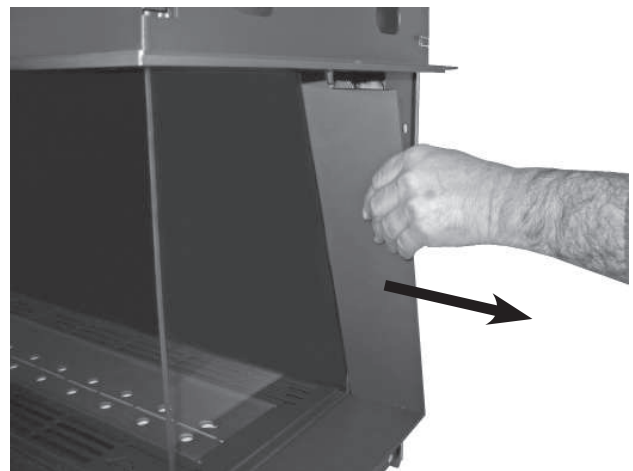
- Corner Bell XXL 3 - Right.



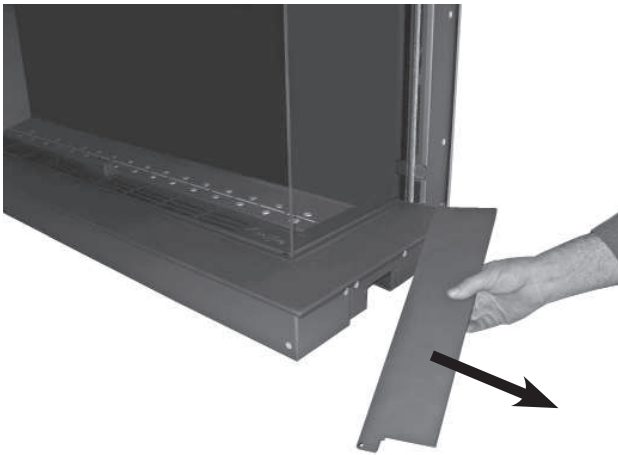
- Pull the side panel forwards on the long side, alongside the glass.



- Remove the side panel on the long side.



- Pull the side panel forwards on the short side, alongside the glass.



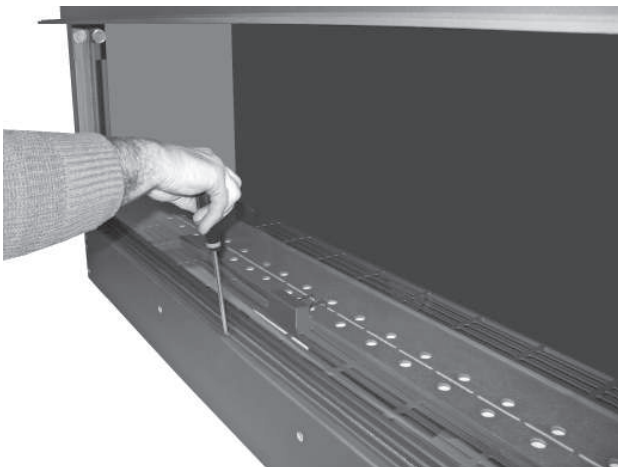
- Remove the side panel on the short side.



- Remove the bottom panel .



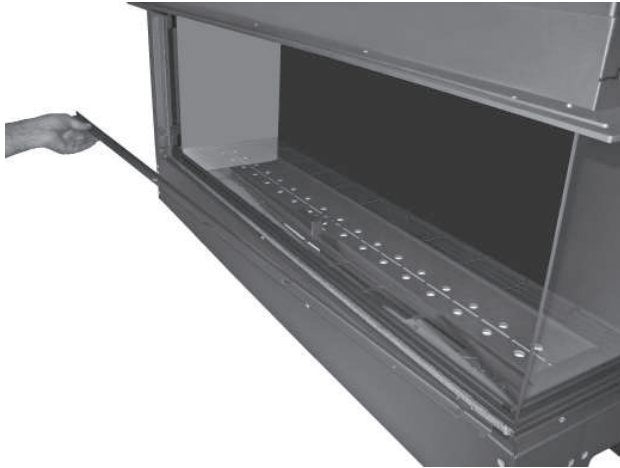
- Remove the bottom panel.



- Unscrew the strip at the front under the glass. Screws only need a couple of turns!



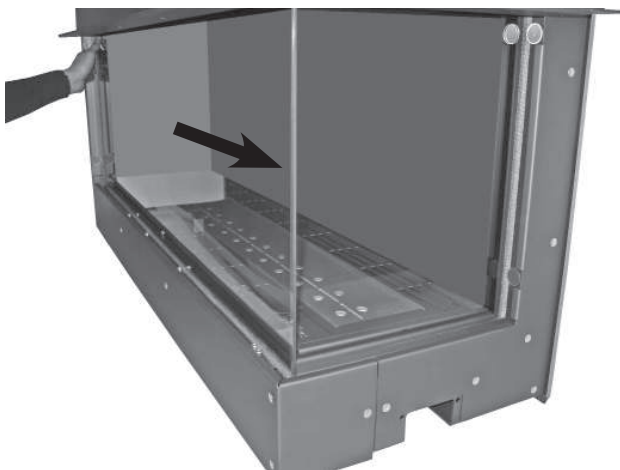
- Using a screwdriver, slide the strip a little to the left.



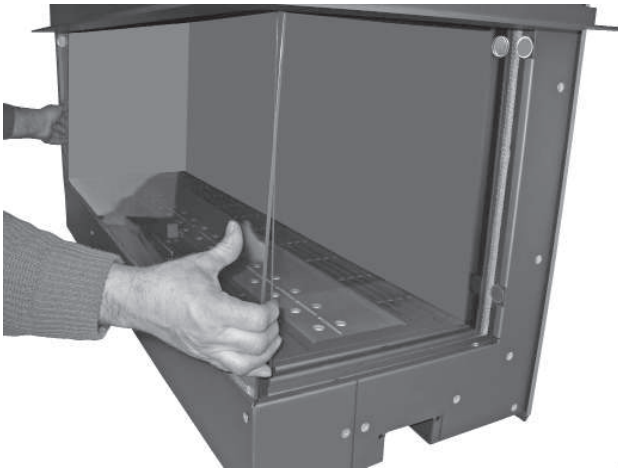
- Remove the strip at the front.



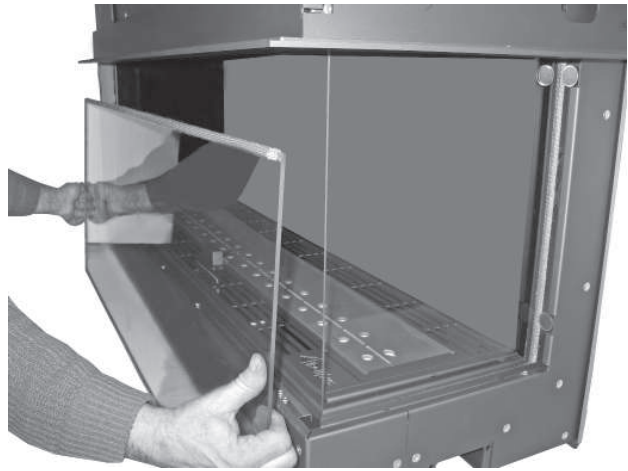
- Unscrew the long strip at the top a little and leave the strip in place.



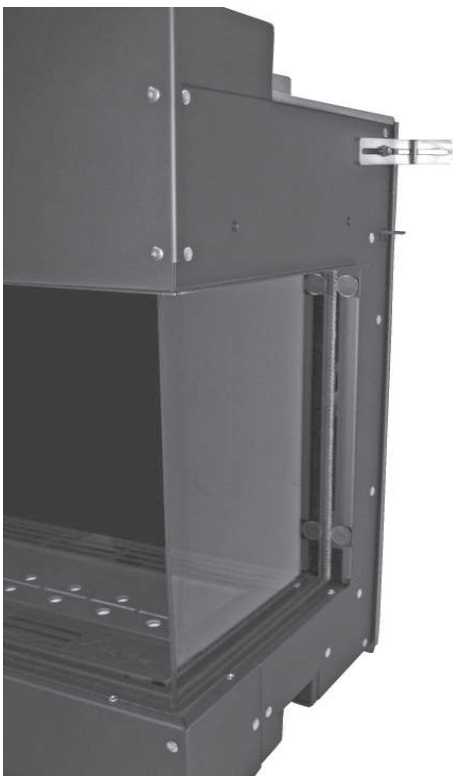
- Pull the glass carefully forwards at the bottom, and slide it a little to one side.



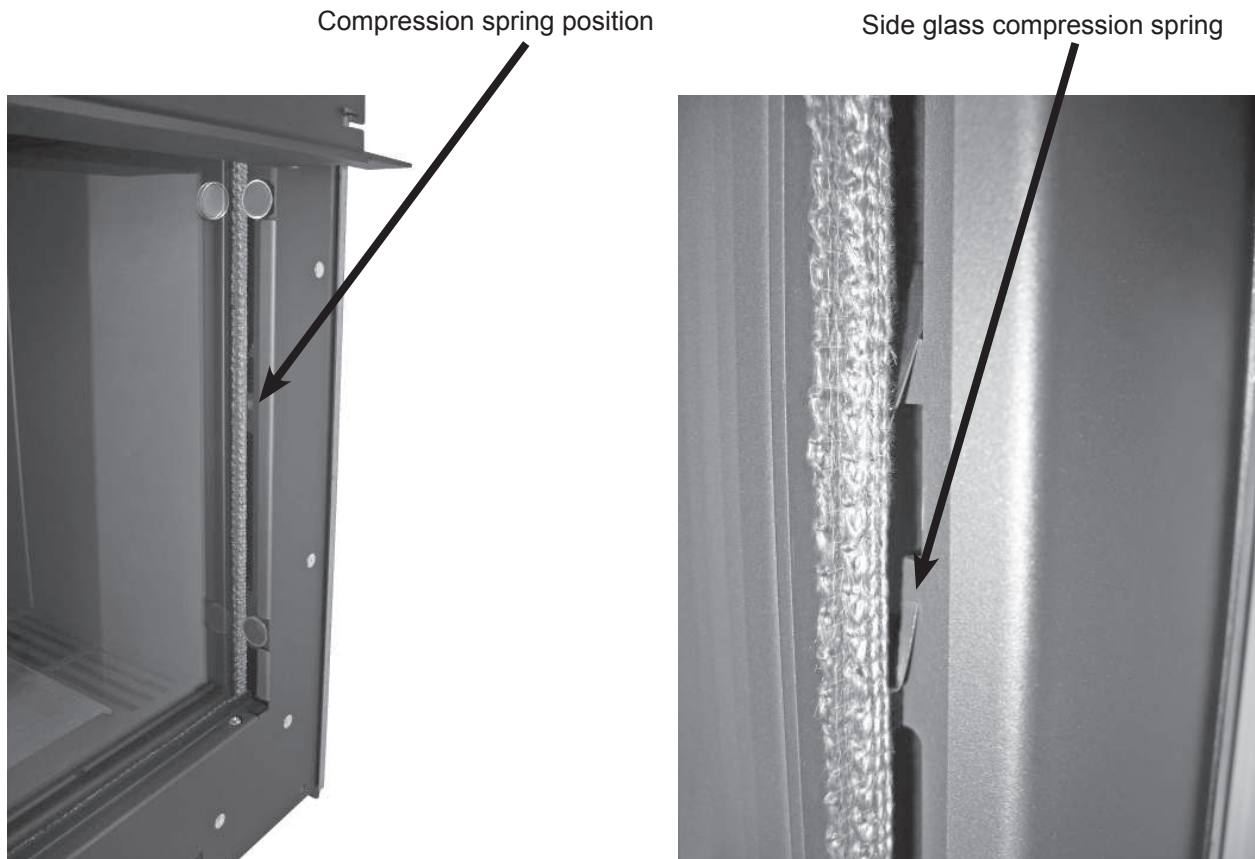
- Lift the glass carefully and pull it forwards a little at the bottom.



- Remove the glass by slanting it forward a little at the bottom and taking it out.



- The glass at the sides can be removed in the same way as the front glass.



- Make sure that the compression spring stays in the correct position.
- Side glass compression spring.

All fastening strips on the top side remain in position!




Assembling of the glass:

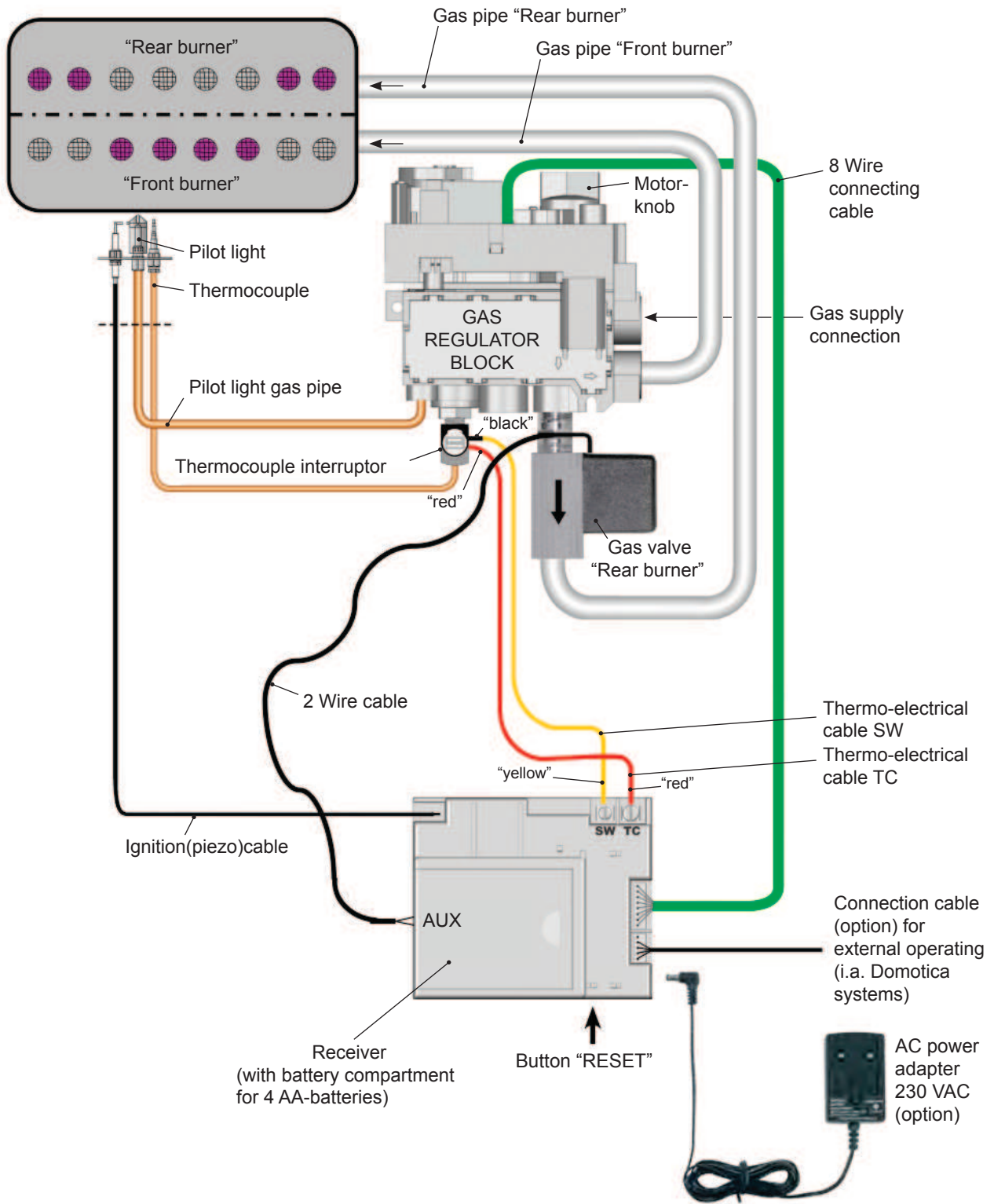
The assembly of the glass takes place in reverse order.

Important:

- The glass panes fit together well. There must be no gaps between the glass panes, or there will be a danger of flue leakage.
- The glass panes must fit properly all round the edges of the combustion chamber.
- Check if the fastening strips have been properly mounted all round.
- Check if the compression spring has been replaced in the correct position.

5 DIAGRAM ELECTRICITY AND GAS

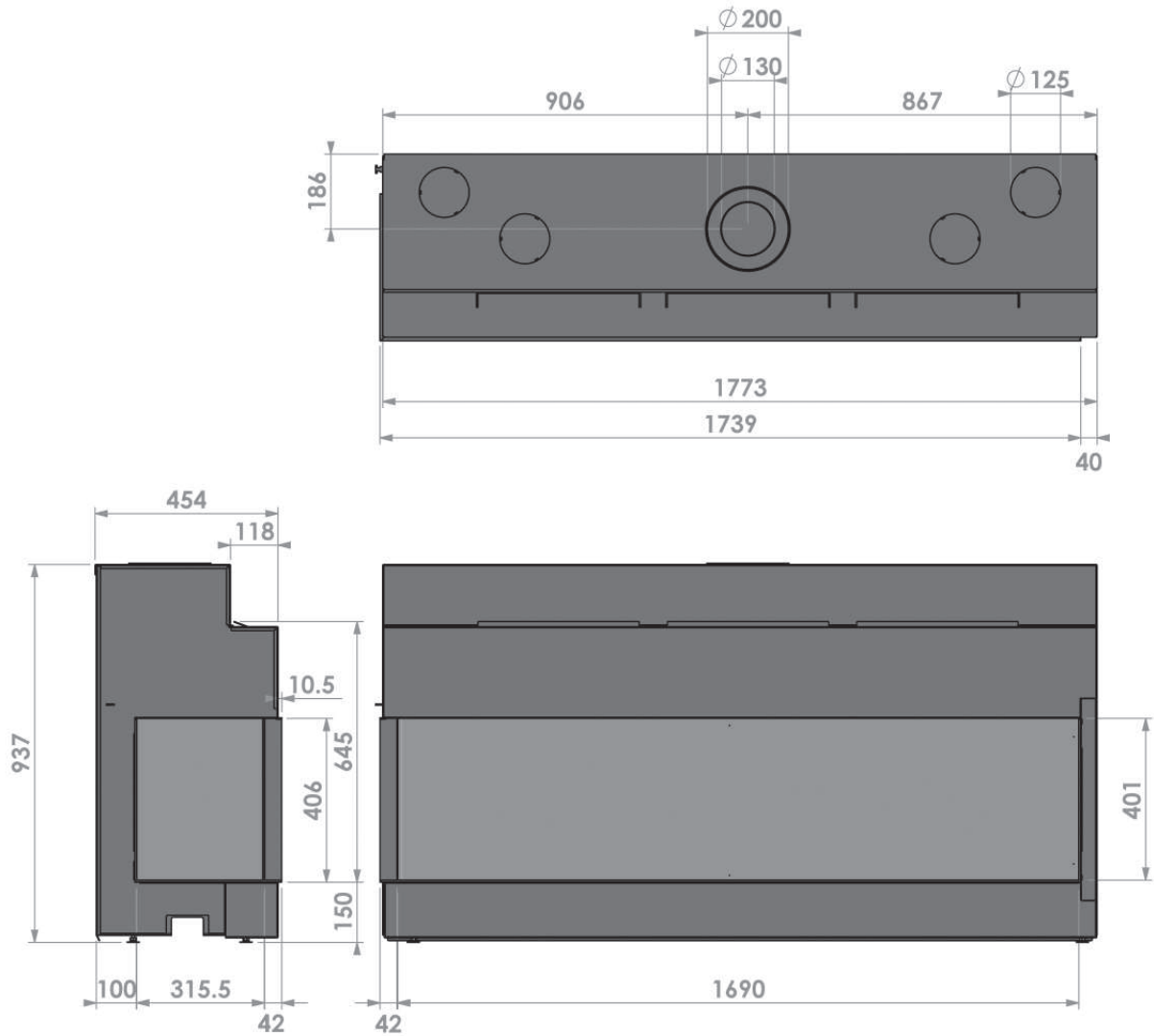
Double burner:  : Perforation pattern "Centre Fire" double burner.
 +  : Perforation pattern "Line Fire" double burner.



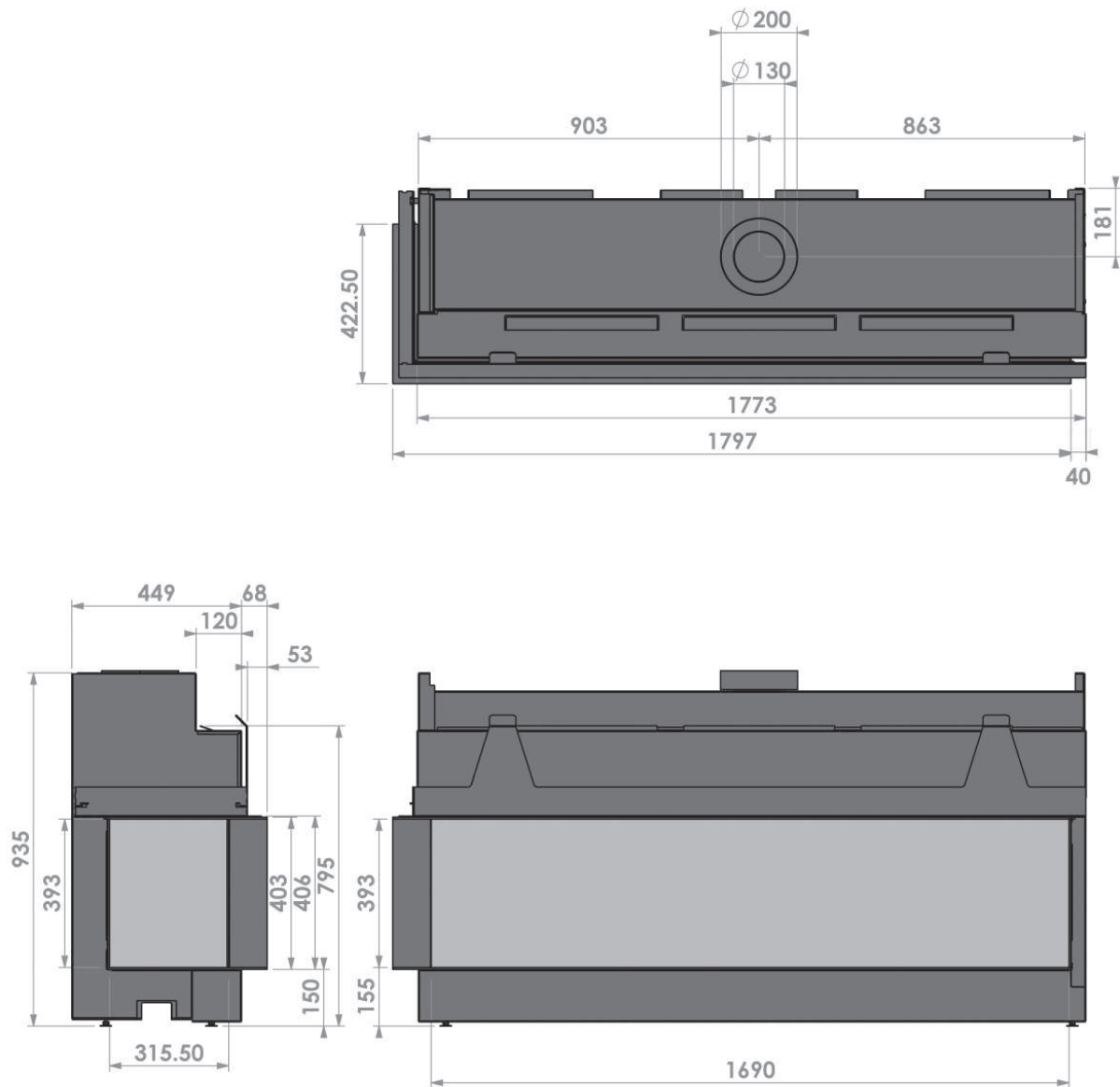
6 DIMENSIONS

6.1 CORNER BELL XXL 3 L

6.1.1 CORNER BELL XXL 3 L - Hidden Door
Fitted with the options: Convection casing

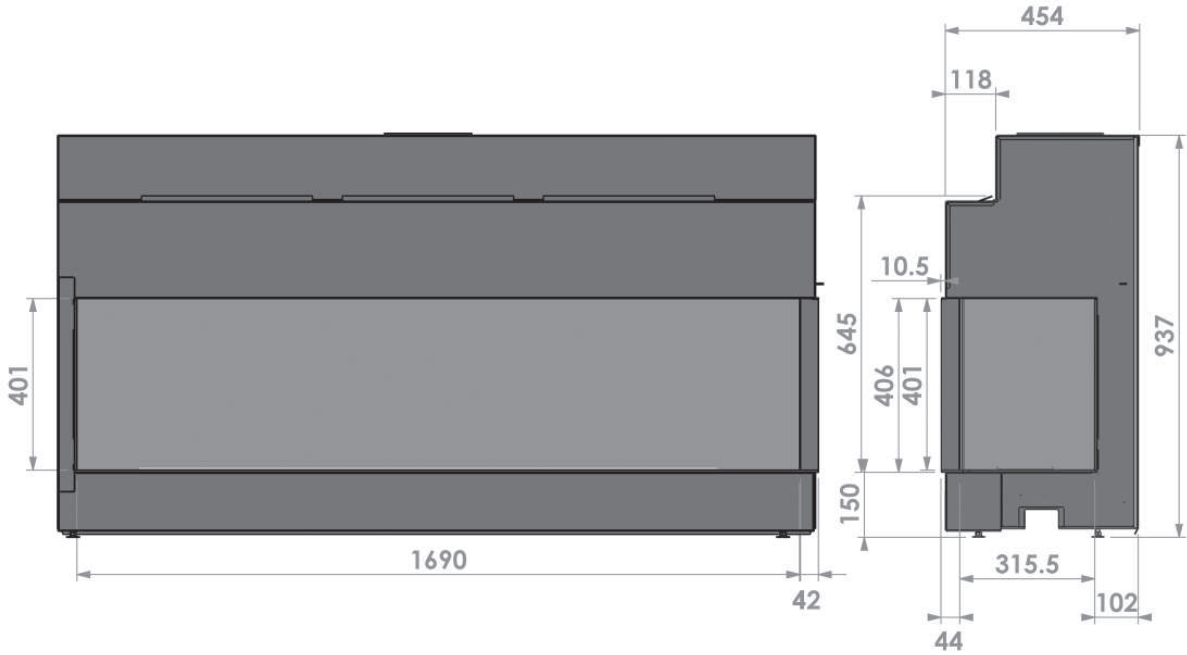
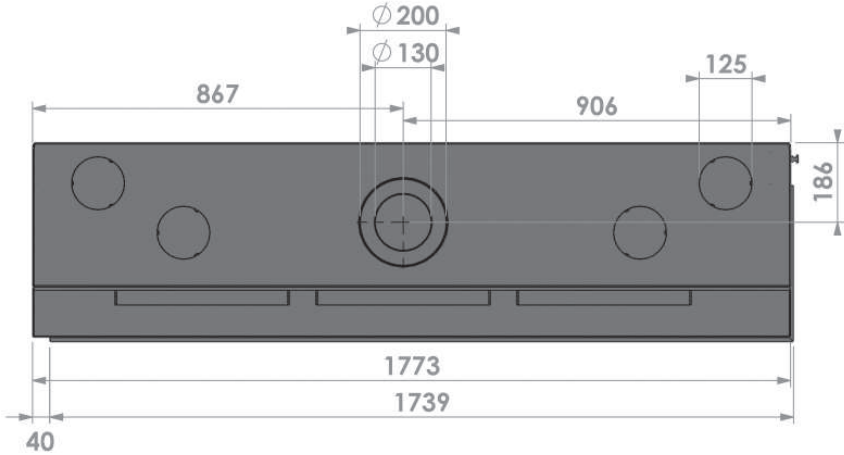


6.1.2 CORNER BELL XXL 3 L - Hidden Door + 10 cm Frame

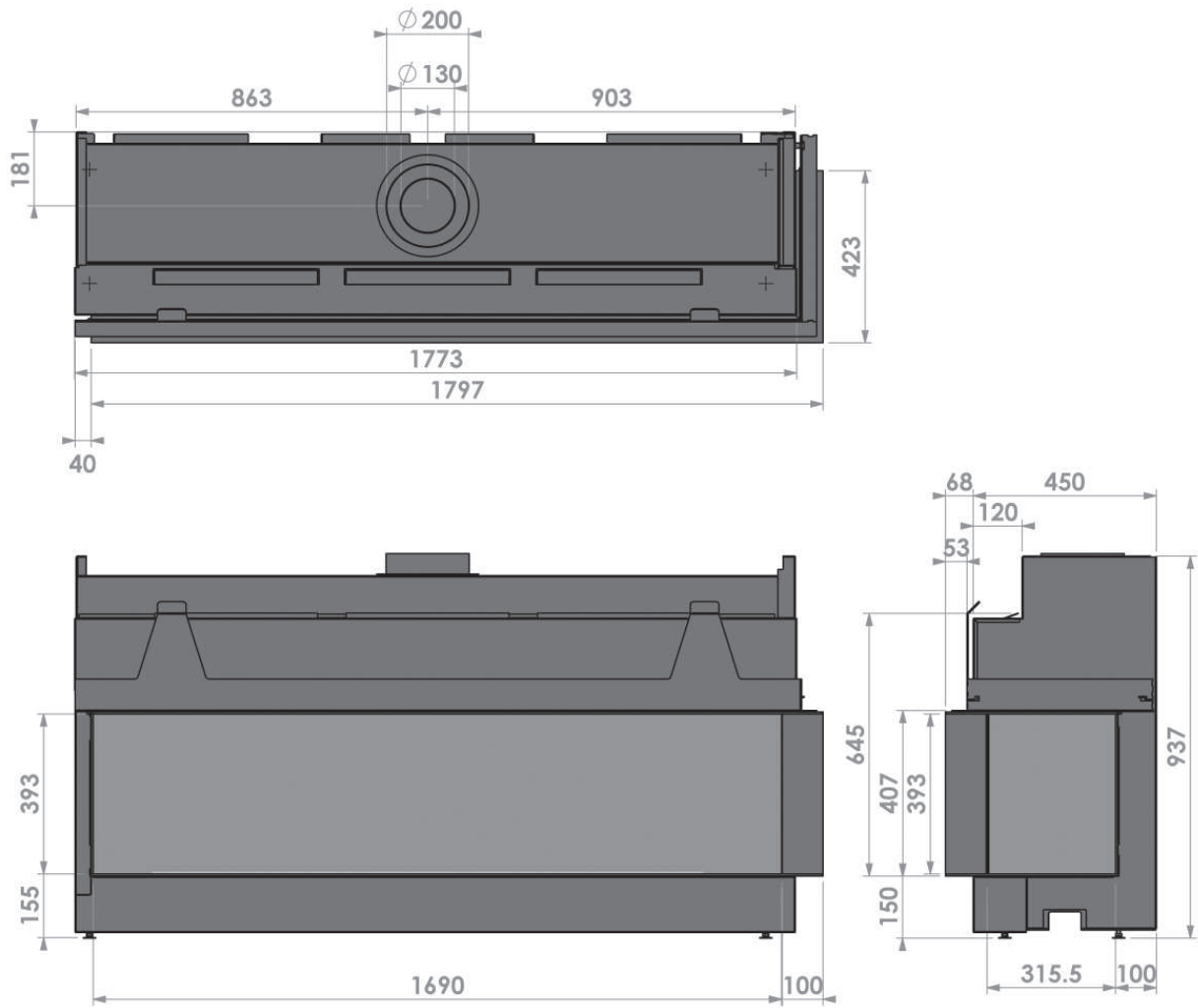


6.2 CORNER BELL XXL 3 R

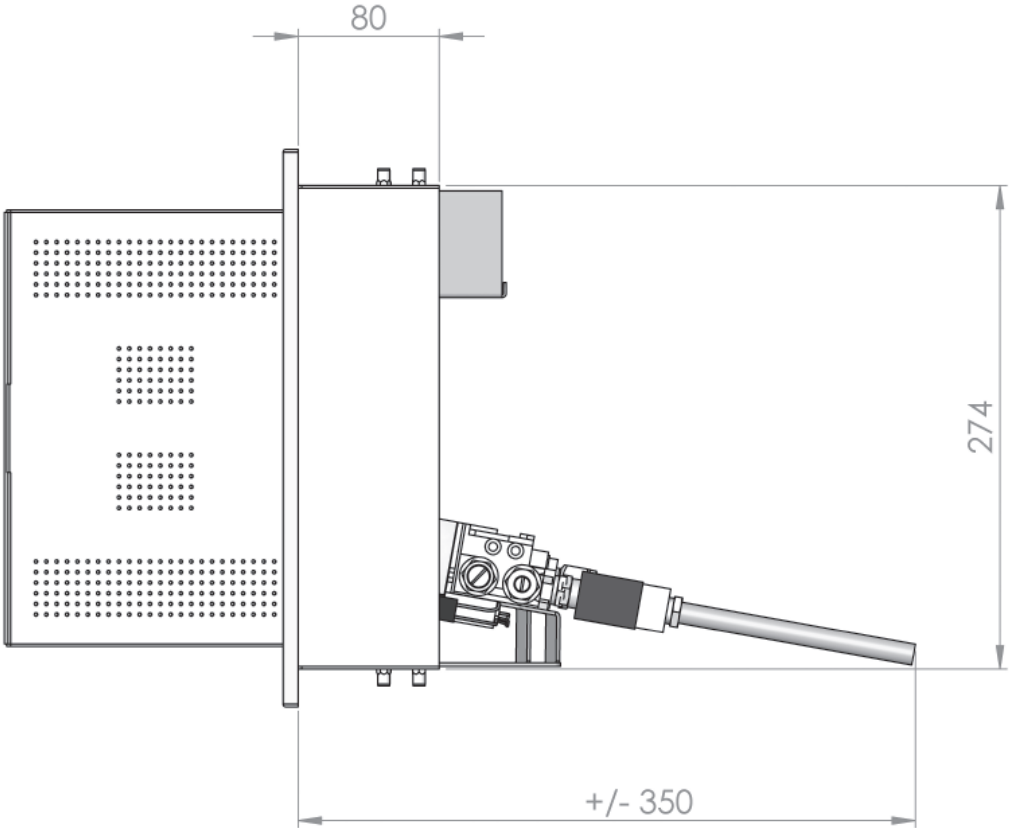
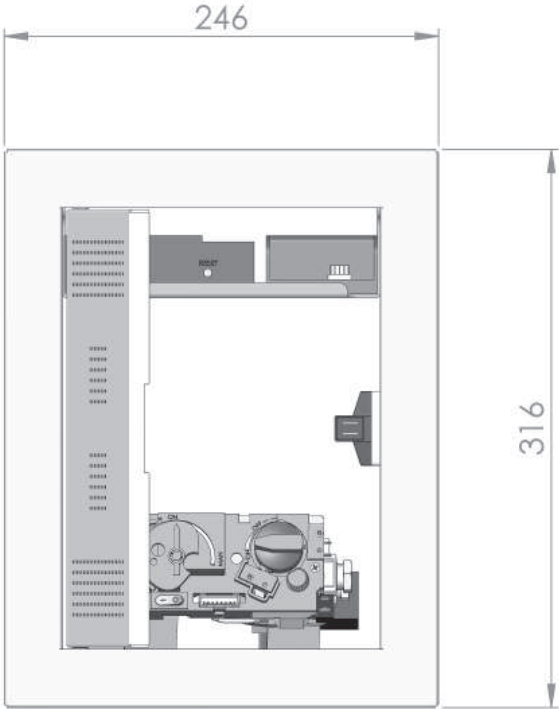
6.2.1 CORNER BELL XXL 3 R - Hidden Door
Fitted with the options: Convection casing



6.2.2 CORNER BELL XXL 3 R - Hidden Door + 10 cm Frame



OPERATING UNIT



7 TECHNICAL DETAILS/REGULATIONS

National installation regulations:

- Gas safety installation and use regulations 1998 plus all relevant safety and building regulations concerning fire installation
- Document J: Combustion appliances and fuel storage systems

| | | |
|-----------------------------------------------|-------------------------------------------------------|-----------------------------------------------------------|
| Model | : CORNER BELL XXL 3 L/R CF (Centre Fire) | |
| Gas | : NATURAL GAS | : BUTANE / PROPANE |
| Country | : GB; Great Britain/IE; Ireland | : GB; Great Britain/IE; Ireland |
| Product identification no | : 0063CM3684 | : 0063CM3684 |
| Type of appliance under CE-norm | : C ₁₁ / C ₃₁ / C ₉₁ | : C ₁₁ / C ₃₁ / C ₉₁ |
| Category of appliance | : I _{2H} natural gas G20 | : I _{3B/P} butane/propane G30/G31 |
| Nominal heat input (Gross calorific value) | : 14.2 kW | : Butane (G30) : 13.0 kW Propane (G31) : 11.0 kW |
| Nominal heat output | : 10.9 kW | : 8.5 - 10.0 kW |
| Efficiency class | : 1 (85%) | : 1 (85%) |
| NOx-class | : 5 | : 5 |
| Gas rate (max.) | : 1.36 m ³ /hr. | : Butane (G30) : 960 gr/hr. Propane (G31) : 790 gr/hr. |
| Supply pressure | : 20.0 mbar | : Butane (G30) : 37.0 mbar Propane (G31) : 37.0 mbar |
| Burner pressure (max.) Hot | : 12.1 mbar(*) | : 29.0 mbar(*) |
| Burner pressure (max.) Cold | : 11.4 mbar(**) | : 29.0 mbar(**) |
| Burner pressure (min.) | : 2.5 mbar(***) | : 4.0 mbar(***) |
| Primary air inlet burner Rear | : 1x Ø10.0 mm | : 1x Ø20.0 ^{corner} mm + 2x Ø5.0 mm |
| Primary air inlet burner Front | : 1x Ø10.0 mm | : 1x Ø20.0 ^{corner} mm + 2x Ø5.0 mm |
| Gas regulator block (remote control) | : Mertik GV 60 | : Mertik GV 60 |
| Main burner | : Centre Fire 1354x130 mm | : Centre Fire 1354x130 mm |
| Main burner injector Rear | : no 225 (= 1x Ø2.25 mm) | : no 130 (= 1x Ø1.30 mm) |
| Main burner injector Front | : no 225 (= 1x Ø2.25 mm) | : no 130 (= 1x Ø1.30 mm) |
| Pilot light burner | : SIT 0.145.019 | : SIT 0.145.019 |
| Pilot light burner injector | : no 36 (SIT 0.977.091) | : no 23 (SIT 0.977.150) |
| Gas connection | : 3/8" G / Ø12 mm | : 3/8" G / Ø12 mm |
| Concentric flue system connection | : Ø130 mm - Ø200 mm | : Ø130 mm - Ø200 mm |

| | | |
|----------------------------------------------------------|-------------------------------------------------|----------------------------------------|
| Model | : CORNER BELL XXL 3 L/R CF (Centre Fire) | |
| Gas | : NATURAL GAS | : BUTANE / PROPANE |
| Country | : GB; Great Britain/IE; Ireland | : GB; Great Britain/IE; Ireland |
| Batteries remote control | | |
| - Receiver | : 4x 1.5V AA | : 4x 1.5V AA |
| - Hand-transmitter | : 2x 1.5V AAA | : 2x 1.5V AAA |
| Weight: | | |
| - Basis model: Hidden Door | : 178 kg | : 178 kg |
| - Model: Hidden Door with 10 cm frame and mantle iron | : 234 kg | : 234 kg |
| - Option: Convection package | : 31 kg | : 31 kg |

(*) : Both burners at maximum. Appliance is on temperature.

(**) : Both burners at maximum. Appliance is cold.

(***) : Both burners at minimum.

Flue gas exhaust and combustion air supply:

Roof-mounted outlet : Concentric flue system Ø100 mm - Ø150 mm. Rigid and/or flexible.

Horizontal wall outlet : Concentric flue system Ø130 mm - Ø200 mm. Rigid.

With wall outlet, depending on the flue configuration; Ø130 mm - Ø200 mm
or Ø100 mm - Ø150 mm.

Heat changing surface: Entire front of the appliance.

| | | |
|-----------------------------------------------|-------------------------------------------------------|------------------------------------------------------------|
| Model | : CORNER BELL XXL 3 L/R LF (Line Fire) | |
| Gas | : NATURAL GAS | : BUTANE / PROPANE |
| Country | : GB; Great Britain/IE; Ireland | : GB; Great Britain/IE; Ireland |
| Product identification no | : 0063CM3684 | : 0063CM3684 |
| Type of appliance under CE-norm | : C ₁₁ / C ₃₁ / C ₉₁ | : C ₁₁ / C ₃₁ / C ₉₁ |
| Category of appliance | : I _{2H} natural gas G20 | : I _{3B/P} butane/propane G30/G31 |
| Nominal heat input (Gross calorific value) | : 14.9 kW | : Butane (G30) : 15.0 kW Propane (G31) : 12.5 kW |
| Nominal heat output | : 11.4 kW | : 9.6 - 11.5 kW |
| Efficiency class | : 1 (85%) | : 1 (85%) |
| NOx-class | : 5 | : 5 |
| Gas rate (max.) | : 1.43 m ³ /hr. | : Butane (G30) : 1100 gr/hr. Propane (G31) : 900 gr/hr. |
| Supply pressure | : 20.0 mbar | : Butane (G30) : 37.0 mbar Propane (G31) : 37.0 mbar |
| Burner pressure (max.) Hot | : 12.0 mbar(*) | : 29.0 mbar(*) |
| Burner pressure (max.) Cold | : 11.3 mbar(**) | : 29.0 mbar(**) |
| Burner pressure (min.) | : 3.0 mbar(***) | : 4.0 mbar(***) |
| Primary air inlet burner Rear | : 1x Ø8.0 mm | : 1x Ø20.0 ^{+corner} mm + 2x Ø5.0 mm |
| Primary air inlet burner Front | : 1x Ø8.0 mm | : 1x Ø20.0 ^{+corner} mm + 2x Ø5.0 mm |
| Gas regulator block (remote control) | : Mertik GV 60 | : Mertik GV 60 |
| Main burner | : Line Fire 1354x130 mm | : Line Fire 1354x130 mm |
| Main burner injector Rear | : no 210 (= 1x Ø2.10 mm) | : no 130 (= 1x Ø1.30 mm) |
| Main burner injector Front | : no 255 (= 1x Ø2.55 mm) | : no 150 (= 1x Ø1.50 mm) |
| Pilot light burner | : SIT 0.145.019 | : SIT 0.145.019 |
| Pilot light burner injector | : no 36 (SIT 0.977.091) | : no 23 (SIT 0.977.150) |
| Gas connection | : 3/8" G / Ø12 mm | : 3/8" G / Ø12 mm |
| Concentric flue system connection | : Ø130 mm - Ø200 mm | : Ø130 mm - Ø200 mm |

| | | |
|----------------------------------------------------------|-----------------------------------------------|----------------------------------------|
| Model | : CORNER BELL XXL 3 L/R LF (Line Fire) | |
| Gas | : NATURAL GAS | : BUTANE / PROPANE |
| Country | : GB; Great Britain/IE; Ireland | : GB; Great Britain/IE; Ireland |
| Batteries remote control | | |
| - Receiver | : 4x 1.5V AA | : 4x 1.5V AA |
| - Hand-transmitter | : 2x 1.5V AAA | : 2x 1.5V AAA |
| Weight: | | |
| - Basis model: Hidden Door | : 178 kg | : 178 kg |
| - Model: Hidden Door with 10 cm frame and mantle iron | : 234 kg | : 234 kg |
| - Option: Convection package | : 31 kg | : 31 kg |

(*) : Both burners at maximum. Appliance is on temperature.

(**) : Both burners at maximum. Appliance is cold.

(***) : Both burners at minimum.

Flue gas exhaust and combustion air supply:

Roof-mounted outlet : Concentric flue system Ø100 mm - Ø150 mm. Rigid and/or flexible.

Horizontal wall outlet : Concentric flue system Ø130 mm - Ø200 mm. Rigid.

With wall outlet, depending on the flue configuration; Ø130 mm - Ø200 mm
or Ø100 mm - Ø150 mm.

Heat changing surface: Entire front of the appliance.

8 REPLACEMENT PARTS LIST

When requesting service or ordering replacement parts, please quote the model type and serial number. All parts listed in this manual may be ordered from a Bellfires dealer.

| No | Article no | Description |
|----|------------|---------------------------------------------------------------------------------------------------------------------------------------------------------------------------------------------------------------------------------------------------------------|
| 1 | 334842 | Main burner "Centre Fire" 1354 x 130 mm <u>Natural gas G20 / Butane/Propane G30/G31</u> G20: 1x Ø10.0 mm front + 1x Ø10.0 mm rear G30/G31: 1x Ø20.0 ^{+corner} mm + 2x Ø5.0 mm front and 1x Ø20.0 ^{+corner} mm + 2x Ø5.0 mm rear |
| 2 | 334845 | Burner mat L = 1354 mm "Centre Fire" |
| 3 | 301907 | Burner injector (front+rear) <u>Natural gas</u> ; no 225 (1x Ø2.25 mm) |
| 4 | 301928 | Burner injector (front+rear) <u>Butane/Propane</u> ; no 130 (1x Ø1.30 mm) |
| 5 | 334841 | Main burner "Line Fire" 1354 x 130 mm <u>Natural gas G20 / Butane/Propane G30/G31</u> G20: 1x Ø8.0 mm front + 1x Ø8.0 mm rear G30/G31: 1x Ø20.0 ^{+corner} mm + 2x Ø5.0 mm front and 1x Ø20.0 ^{+corner} mm + 2x Ø5.0 mm rear |
| 6 | 334846 | Burner mat L = 1354 mm "Line Fire" |
| 7 | 301909 | Burner injector <u>Natural gas</u> ; Front: no 255 (1x Ø2.55 mm) |
| 8 | 334876 | Burner injector <u>Natural gas</u> ; Rear: no 210 (1x Ø2.10 mm) |
| 9 | 301915 | Burner injector <u>Butane/Propane</u> ; Front: no 150 (1x Ø1.50 mm) |
| 10 | 301928 | Burner injector <u>Butane/Propane</u> ; Rear: no 130 (1x Ø1.30 mm) |
| 11 | 333597 | Gas regulator block; GV 60 (M10 Thermocouple connection) |
| 12 | 302122 | 3/8" male x Ø12 Compression fitting |
| 13 | 302084 | Nut Ø8 mm for burner supply GV 60 for "front burner" |
| 14 | 302089 | Olive Ø8 mm for burner supply GV 60 for "front burner" |
| 15 | 333607 | Gas valve "rear burner" |
| 16 | 333608 | Adapter 3/8"bsp x 3/8"+ O-ring |
| 17 | 333610 | Nut Ø8 mm for gas valve "rear burner" |
| 18 | 333611 | Olive Ø8 mm for gas valve "rear burner" |
| 19 | 302086 | Cut-off nipple Ø4 mm GV 60 |
| 20 | 333601 | Cable (sw): Receiver - Thermocouple interrupter, L = 500 mm |
| 21 | 333602 | Cable (tc): Receiver - Thermocouple interrupter, L = 500 mm |
| 22 | 341642 | Hand-held transmitter Symax 2 - EU - 8 buttons Bellfires |
| 23 | 341644 | Receiver Symax 2 - EU |
| 24 | 302068 | 8 Wire connecting cable Gas regulator block - Receiver, L = 500 mm |
| 25 | 332025 | Piezo ignition cable, 2x \sphericalangle 2.8 x 0.8 mm, L = 2000 mm |
| 26 | 334255 | Thermocouple M10 - 2000 mm |
| 27 | 333604 | Thermocouple interrupter M10 |

| No | Article no | Description |
|----|------------|-------------------------------------------------------------------------------------|
| 28 | 310908 | Pilot light set outer casing, Double flame |
| 29 | 310909 | Packing pilot light set outer casing |
| 30 | 310910 | Pilot light injector; <u>Natural gas</u> ; no 36 |
| 31 | 310912 | Pilot light injector; <u>Butane/Propane</u> ; no 23 |
| 32 | 310907 | Piezo electrode for pilot light, 2.8 x 0.5 mm |
| 33 | 302062 | Nut piezo electrode |
| 34 | 319842 | Nut thermocouple |
| 35 | 332552 | Pilot light olive; Ø4 mm, steel |
| 36 | 332553 | Pilot light nut; Ø4 mm, steel |
| 37 | 326053 | Pilot light pipe; Ø4 mm, L = 2000 mm, Flexible, Stainless steel |
| 38 | 325949 | Burner pipe; Ø8 mm, L = 2000 mm, Flexible, Stainless steel - 10 kW+, "front burner" |
| 39 | 325949 | Burner pipe; Ø8 mm, L = 2000 mm, Flexible, Stainless steel - 10 kW+, "rear burner" |
| 40 | 326055 | Nut; Ø8 mm, compression elbow main burner |
| 41 | 326054 | Olive; Ø8 mm, compression elbow main burner |
| 42 | 344341 | Glass Corner Bell XXL 3 L/R front (467 x 1706 x 4 mm) |
| 43 | 333227 | Glass Corner Bell XXL 3 L/R side (467 x 328 x 4 mm) |
| 44 | 344411 | AR-Glass Corner Bell XXL 3 front (467 x 1706 x 4 mm) |
| 45 | 342027 | AR-Glass Corner Bell XXL 3 side (467 x 328 x 4 mm) |
| 46 | 344335 | Black mirror rear wall Corner Bell XXL 3 (429 x 1718 x 5 mm) |
| 47 | 333514 | Black mirror side wall Corner Bell XXL 3 (429 x 311.5 x 5 mm) |
| 48 | 301669 | Tube ceramic glue |
| 49 | 301593 | Black fibre glass tape 15 x 3 mm, adhesive |
| 50 | 319664 | Black fibre glass tape 30 x 2 mm, adhesive |
| 51 | 311006 | Black fibre glass tape 20 x 2 mm, adhesive |
| 52 | 301617 | Black fibre glass cord Ø10 mm |

Logs - Chips of wood - Embers - Vermiculite granules - Marble pebbles

| Appliance | Log set | | | | | | | | | | | | Marble pebbles set (white) | Marble pebbles set (grey) |
|-----------------------|-----------------|--------|--------|--------|--------|--------|--------|--------|--------|-------------------|------------------------------------|---------------------------------|----------------------------|---------------------------|
| | Set | Log no | | | | | | | | Chips of wood set | Embers with Glow-effect Anthracite | Vermiculite no 4 black filtered | | |
| | | 1 | 2 | 3 | 4 | 5 | 6 | 7 | 8 | 3 pieces | Bag: 125 gr. | Bag: 50 gr. | Bag: 2,5 kg. | Bag: 2,5 kg. |
| Art. nr.: | 331357 | 331358 | 331359 | 331360 | 331361 | 331362 | 331363 | 331364 | xxxxxx | 301863 | 332583 | 310937 | 325758 | |
| Corner Bell XXL 3 L/R | A 325291 | 2x | 2x | 1x | 1x | 1x | 1x | 1x | 1x | 2x | 4x | 1x | 4x | 4x |

9 DISPOSING OF PACKAGING AND APPLIANCE

The appliance comes in recyclable packaging.

This can include:

- Cardboard
- Wood
- Plastic
- Paper

Such materials must be disposed of responsibly, in line with local regulations.

Batteries should be disposed of as chemical waste. Batteries must be disposed of responsibly, in line with local regulations.

The authorities or fitter can provide you with information on responsible disposal of obsolete appliances.

bellfires. gas fires

Your Bellfires dealer

01 - 040417 - 344384